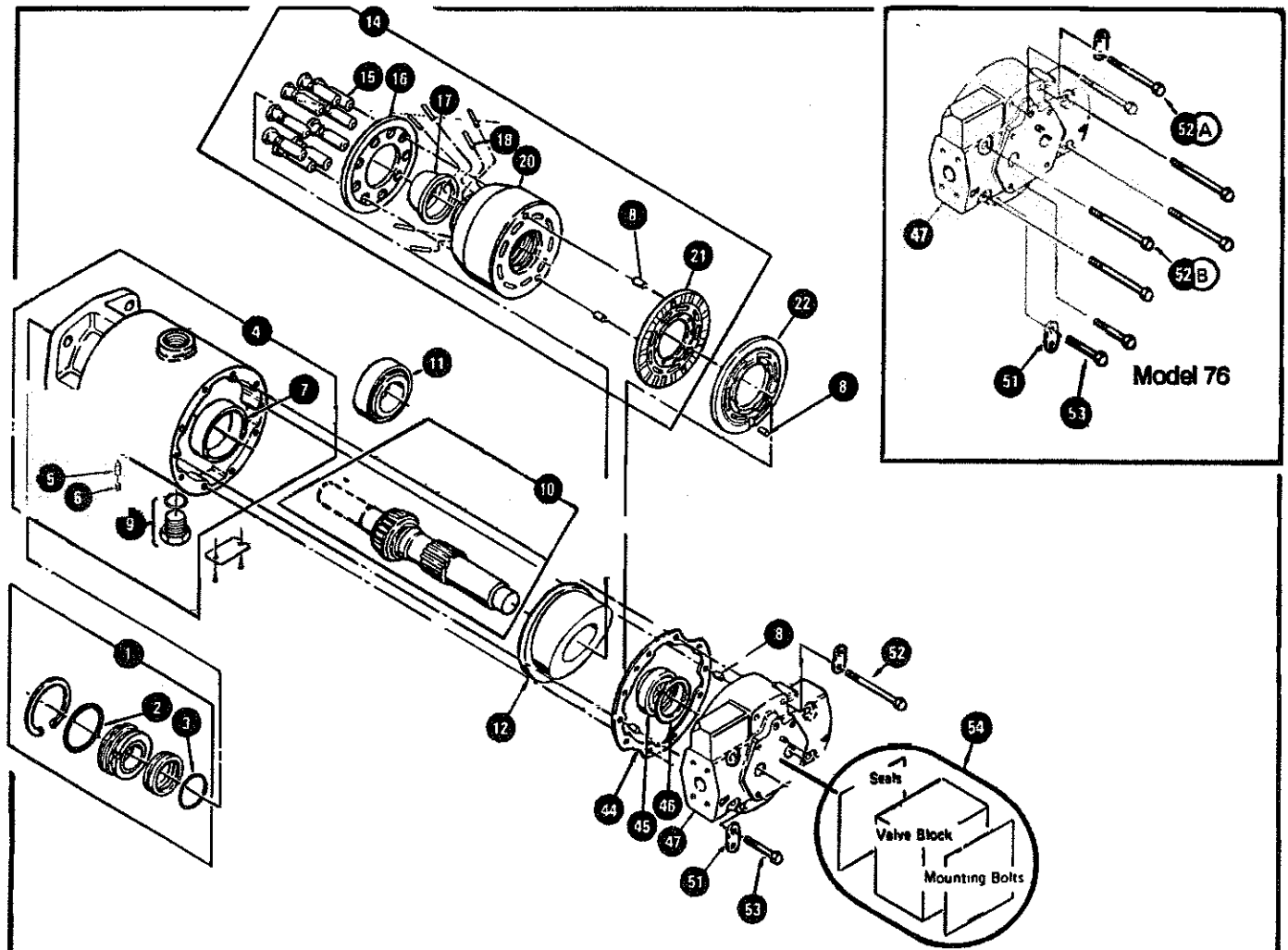


PARTS DRAWING



Drive Shaft Matrix		Ref. No. 10			
Description	Model 33	Model 39	Model 46	Model 54	Model 76
13T	—	—	—	—	101832
14T	101054	101054	101058	101062	—
19T	105082	101582	—	—	—
21T	101117	101117	101119	101121	—
23T	—	—	—	101174	—
27T	—	—	—	—	102319
1-3/8 Tapered	—	—	—	101164	—
1-1/2 Str.Key	101531	101531	101535	101539	—
1-3/4 Str.Key	—	—	—	—	102304

- 101540 3/8 Square Key (for 1 1/2 Straight Keyed Shaft)
- 102305 7/16 Square Key (for 1 3/4 Straight Keyed Shaft)
- 101317 Woodruff Key (for 1 3/8 Tapered Shaft)
- 96898 Slotted Nut (for 1 3/8 Tapered Shaft)

Gasket Kit

~~990093~~ 990094
990093

Ref. No.	Description	Qty	Model 33	Model 39	Model 46	Model 54	Model 76
1	Kit, Shaft Seal	1	990231-000	990231-000	990231-000	990231-000	990195
2	O-ring	1	8761-145	8761-145	8761-145	8761-145	8761-239
3	O-ring	2	104166-131	104166-131	104166-131	104166-131	104166-138
4	S/A, Housing	1	102443	102443	102434	102436	102430
5	Dowel	1	95904-100	95904-100	95904-100	95904-100	95905-125
6	Plug, Socket Pipe	1	95653-012	95653-012	95653-012	95653-012	95653-025
7	Cup, Bearing	1	96795	96795	96795	96795	95791
8	Dowel	3	98202	98202	98202	98202	98202
9	S/A, O-ring Plug	1	25090-012	25090-012	25090-012	25090-012	25090-012
10	S/A, Drive Shaft	1	*	*	*	*	*
11	Bearing Kit, Mtg. Flange	1	990020	990020	990020	990020	990056
12	S/A, Swashplate	1	101046	101033	101034	101035	102428
14	Kit, Rotating Group	1	101697	101697	101698	103046	101786
15	S/A, Piston Slipper	9	101073	101073	101075	101077	101788
16	Plate, Slipper Retaining	1	102678	102678	102679	102680	102681
17	Guide, Slipper Retainer	1	101096	101096	101092	101085	101787
18	Dowel, Cylinder Barrel	6	101082	101082	101083	101084	101798
20	Kit, Cylinder Barrel	1	990421	990421	990422	990423	990424
21	Plate, Bearing	1	101049	101049	101050	101051	101794
22	Plate, Valve	1	103230	102790	102625	102793	101823
44	Gasket, End Cover	1	8734	8734	8857	103042	101778
45	Kit, End Cover Bearing	1	990014	990014	990015	990016	990057
46	Shim Kit, End Cover	1	990017	990017	990018	990019	990058
47	End Cover	1	*	*	*	*	*
51	Strap, Shipping	2	96558	96558	96559	96559	101822
52	Bolt, End Cover	6	103090-275	103090-275	103091-275	103091-300	—
52 A	Bolt, End Cover	2	—	—	—	—	103092-325
52 B	Bolt, End Cover	4	—	—	—	—	103092-375
53	Bolt, End Cover	2	103090-150	103090-150	103090-150	103091-200	103092-200
54	Option, Valve Block	1	**	**	**	**	**

* See charts below and on opposite page for specific part numbers.
** See separate parts list for specific part number.

End Cover Matrix		Ref.No. 47				
Description	Model 33	Model 39	Model 46	Model 54	Model 76	
1 inch Code 61	101021	101021	101023	101022	103021	
1 inch Code 61 w/Pressure Tap	—	—	—	102846	—	
1 inch Code 62	101957	101957	102109	101323	103022	
1 inch Code 62 w/Pressure Tap	—	—	—	105209	—	
1 inch O-ring	101489	101489	102235	101494	—	

Code 61 - SAE Code 61, Split Flange, 3000 PSI, Drilled and Tapped for 3/8-16 UNC 2B Thread Bolt
Code 62 - SAE Code 62, Split Flange, 6000 PSI, Drilled and Tapped for 7/16-14 UNC 2B Thread Bolt