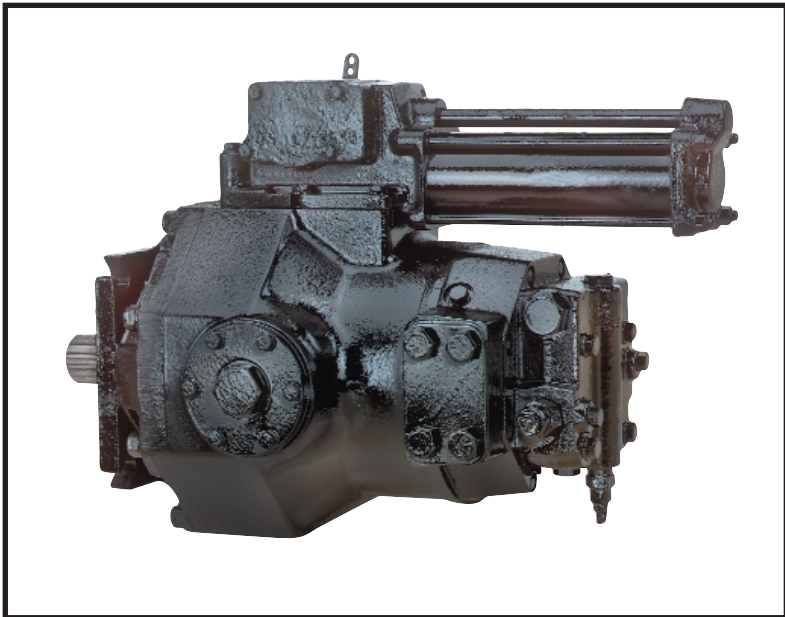


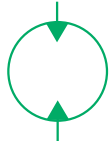
# DynaPower Generation II

[Return to DYNAPOWER index](#)

[Return to MAIN index](#)

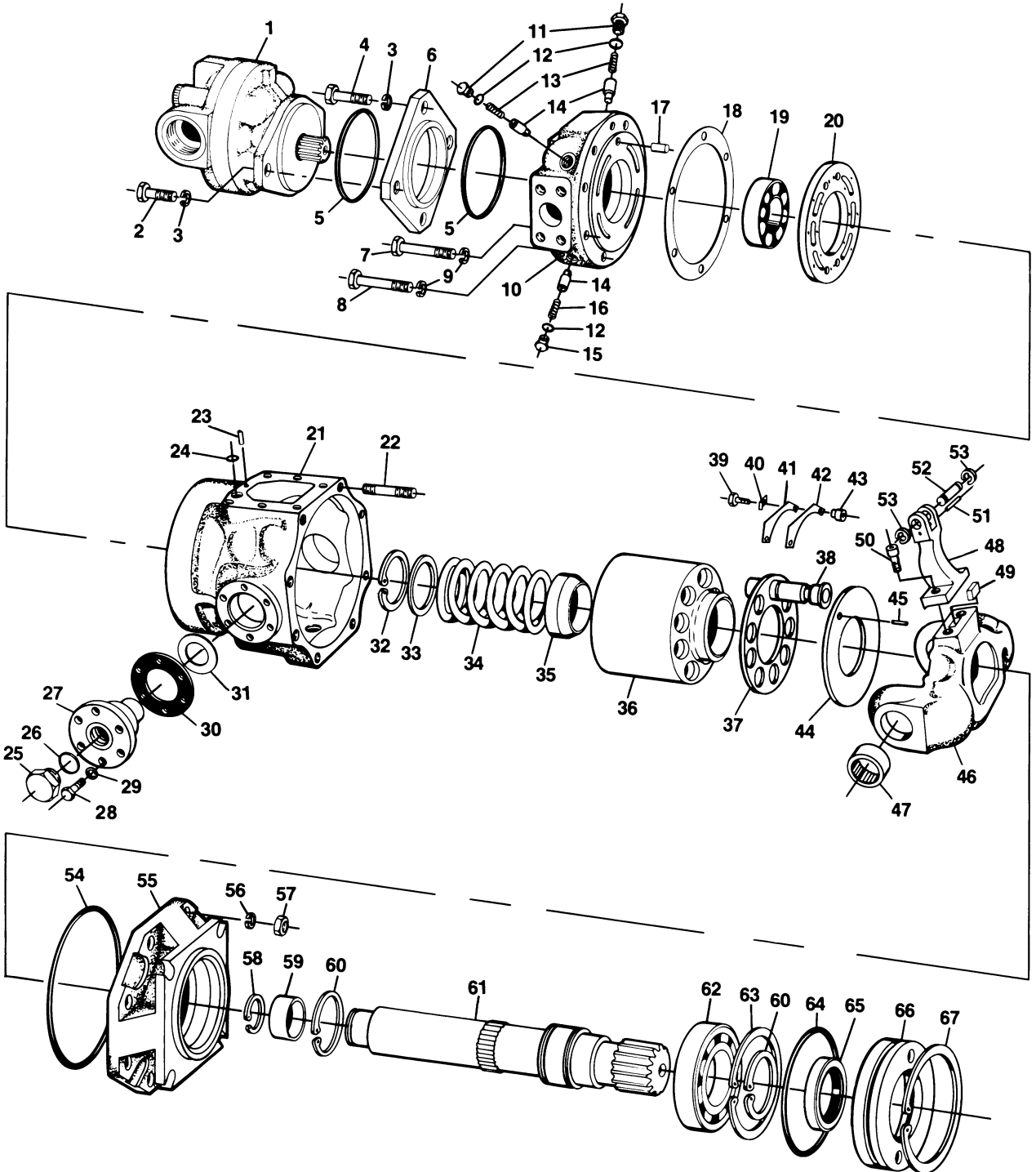


***DYNAPOWER***



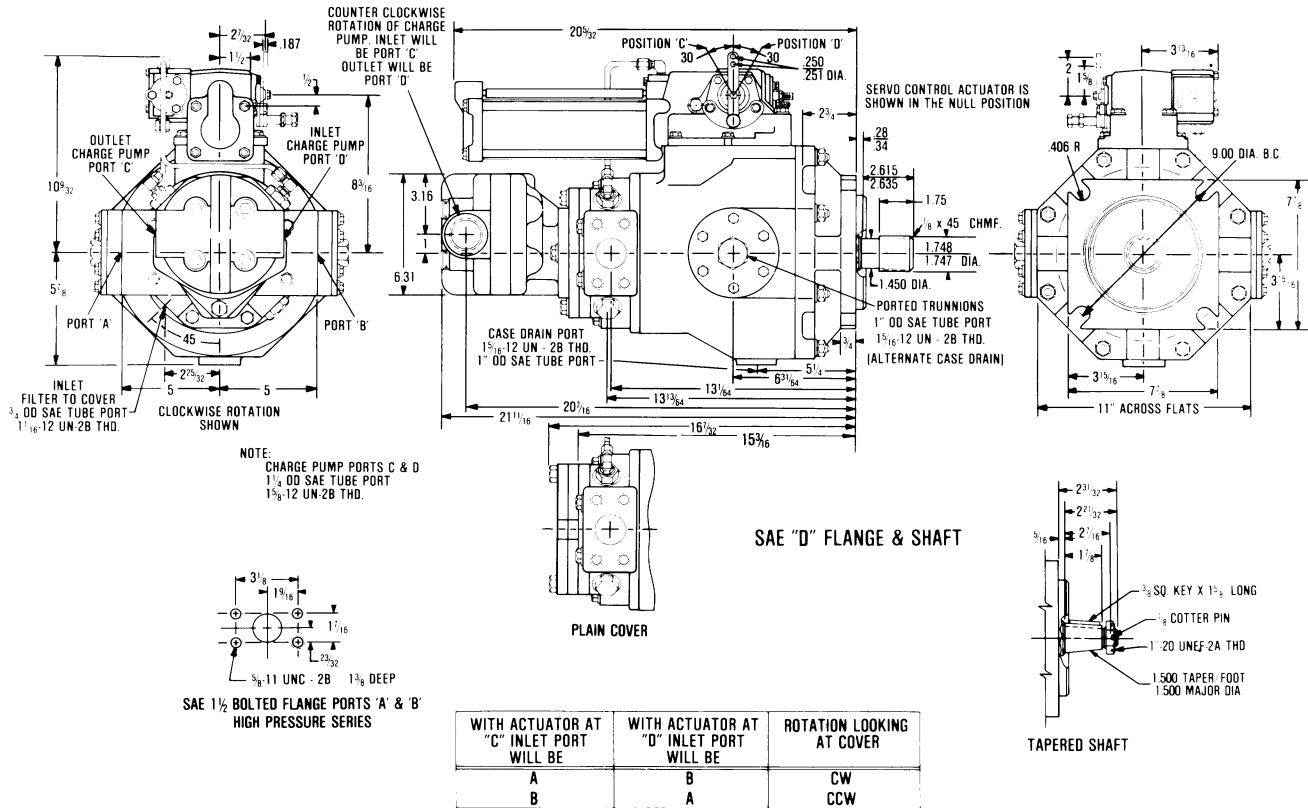
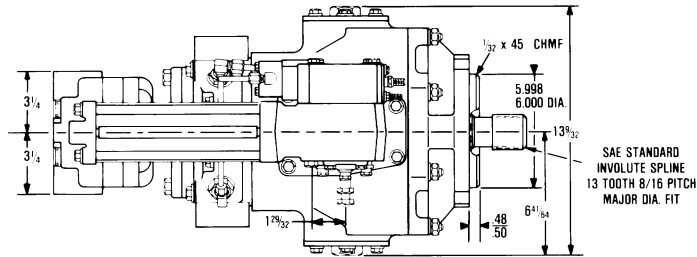


### DYNAPOWER MODEL 9.0 VARIABLE PUMP SAE "D" FLANGE & SHAFT PARTS DRAWING





## DYNAPOWER MODEL 9.0 VARIABLE PUMP SAE "D" FLANGE & SHAFT PARTS DRAWING





**DYNAPOWER MODEL 9.0 VARIABLE PUMP  
SAE "D" FLANGE & SHAFT**

| REF. NO. | PART NO. | REQ. NO | DESCRIPTION                 |
|----------|----------|---------|-----------------------------|
| 1        | 870901   | 1       | Charge Pump                 |
| 2        | 870178   | 2       | Hex Bolt                    |
| 3        | 870494   | 4       | Lock Wash                   |
| 4        | 870178   | 2       | Hex Bolt                    |
| 5        | 871155   | 2       | O` Ring                     |
| 6        | 842337   | 1       | Charge Pump Adaptor         |
| 7        | 870726   | 4       | Hex Bolt                    |
| 8        | 870276   | 4       | Hex Bolt                    |
| 9        | 870493   | 8       | Lock Washer                 |
| 10       | 842914   | 1       | Cover                       |
| 11       | 842047   | 2       | Plug                        |
| 12       | 871912   | 3       | O` Ring                     |
| 13       | 840999   | 2       | Spring                      |
| 14       | 840925   | 3       | Plunger                     |
| 15       | 842395   | 1       | Plug                        |
| 16       | 872920   | 1       | Spring                      |
| 17       | 870098   | 1       | Roll Pin                    |
| 18       | 842276   | 1       | Gasket                      |
| 19       | 872874   | 1       | Bearing (includes item 59)  |
| 20       | 842917   | 1       | Valve Plate                 |
| 21       | 842266   | 1       | Housing (includes items 22) |
| 22       | 842386   | 8       | Stud                        |
| 23       | 870095   | 1       | Roll Pin                    |
| 24       | 871011   | 1       | O` Ring                     |
| 25       | 872868   | 2       | Plug                        |
| 26       | 871916   | 2       | O` Ring                     |
| 27       | 841061   | 2       | Trunnion                    |
| 28       | 870172   | 12      | Hex Bolt                    |
| 29       | 870491   | 12      | Lock Washer                 |
| 30       | 840948   | 2       | Gasket                      |
| 31       | 840947   | 2       | Thrust Washer               |
| 32       | 872905   | 1       | Retaining Ring              |
| 33       | 842263   | 1       | Upper Spring Plate          |
| 34       | 842252   | 1       | Spring                      |
| 35       | 842333   | 1       | Lower Spring Seat           |
| 36       | 842244   | 1       | Cylinder Block              |
| 37       | 842269   | 1       | Return Plate                |
| 38       | 830699   | 9       | Piston Assembly             |
| 39       | 870213   | 4       | Hex Bolt                    |
| 40       | 840981   | 4       | Tab Lock Washer             |
| 41       | 842493   | 2       | Crescent Clip               |





**DYNAPOWER MODEL 9.0 VARIABLE PUMP  
SAE "D" FLANGE & SHAFT**

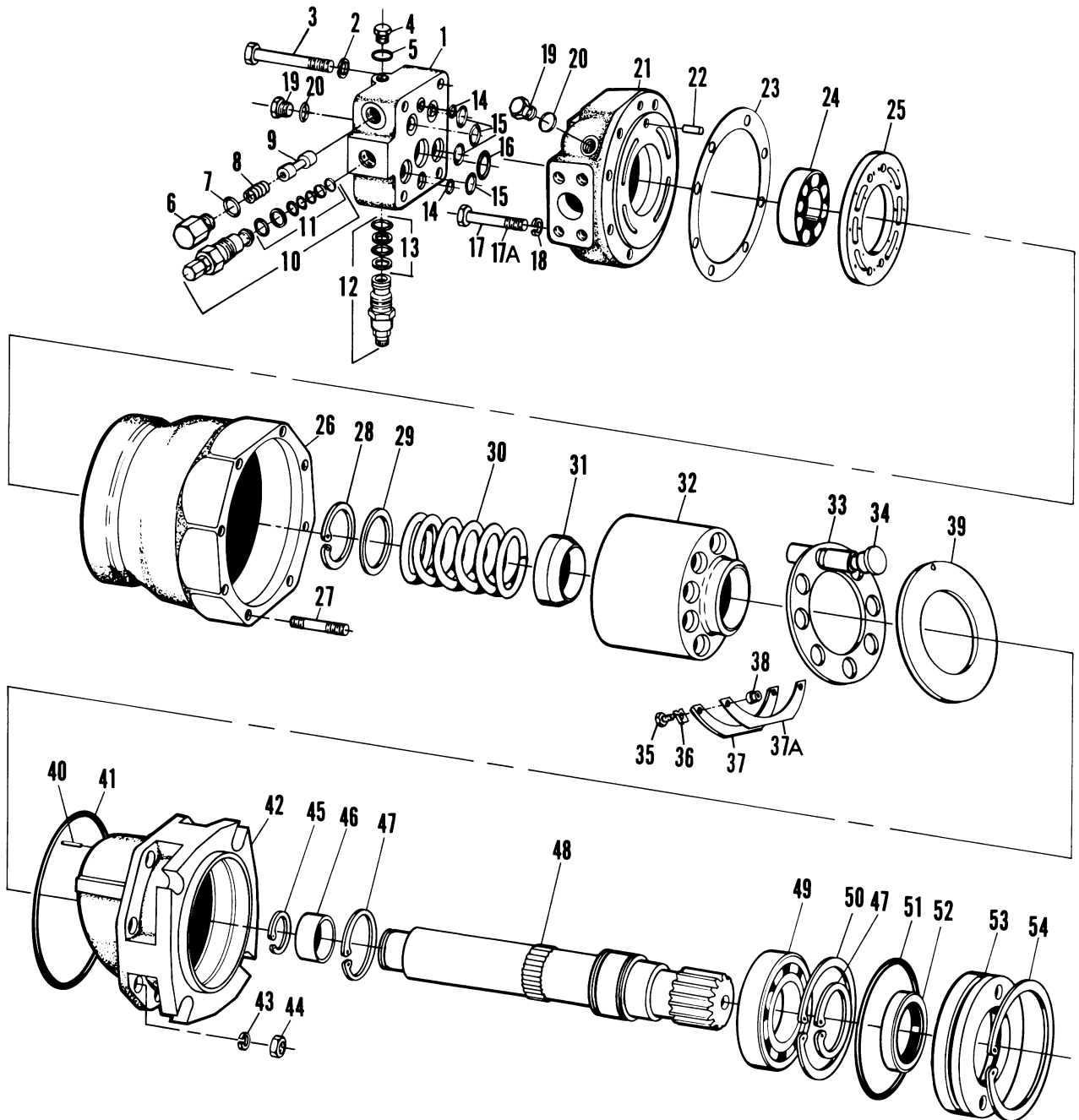
| REF. NO. | PART NO. | REQ. NO | DESCRIPTION                       |
|----------|----------|---------|-----------------------------------|
| 42       | 842494   | 2       | Crescent Bearing                  |
| 43       | 842271   | 4       | Spacer                            |
| 44       | 842270   | 1       | Wear Plate                        |
| 45       | 870071   | 1       | Roll Pin                          |
| 46       | 840919   | 1       | Cam                               |
| 47       | 871186   | 2       | Trunnion Bearing                  |
| 48       | 842359   | 1       | Lever Assembly (includes item 51) |
| 49       | 840909   | 1       | Key                               |
| 50       | 870889   | 2       | Cap Screw                         |
| 51       | 871058   | 1       | Pin                               |
| 52       | 841033   | 1       | Clevis Pin                        |
| 53       | 871953   | 2       | Retaining Ring                    |
| 54       | 875271   | 1       | Square Ring                       |
| 55       | 842273   | 1       | Flange SAE "D"                    |
| 56       | 870494   | 8       | Lock Washer                       |
| 57       | 870568   | 8       | Hex Nut                           |
| 58       | 871947   | 1       | Retaining Ring                    |
| 59       |          | 1       | See Item 19                       |
| 60       | 871952   | 2       | Retaining Ring                    |
| 61       | 850164   | 1       | Shaft SAE "D"                     |
| 62       | 871184   | 1       | Bearing                           |
| 63       | 872752   | 1       | Retaining Ring                    |
| 64       | 871248   | 1       | O` Ring SAE "D"                   |
| 65       | 870107   | 1       | Shaft Seal                        |
| 66       | 842268   | 1       | Seal Retainer                     |
| 67       | 871950   | 1       | Retaining Ring                    |
| 68       | 840146   | 1       | Hex Plug                          |
| 69       | 871904   | 1       | O` Ring                           |



| PART NO. | FLANGE TYPE | DESCRIPTION  |
|----------|-------------|--|
| 894401   | SAE "D"     | O` ring & Gasket Kit, 5,12,18,26,30,54,64,&65                        |
| 894400   | SAE "D"     | Shaft Seal Kit 64,65, &66  |
| 894409   | SAE "D"     | Rotating Group Kit 20,32,33,34,35,and 36,37,38,39,40,41,42,43, & 44" |

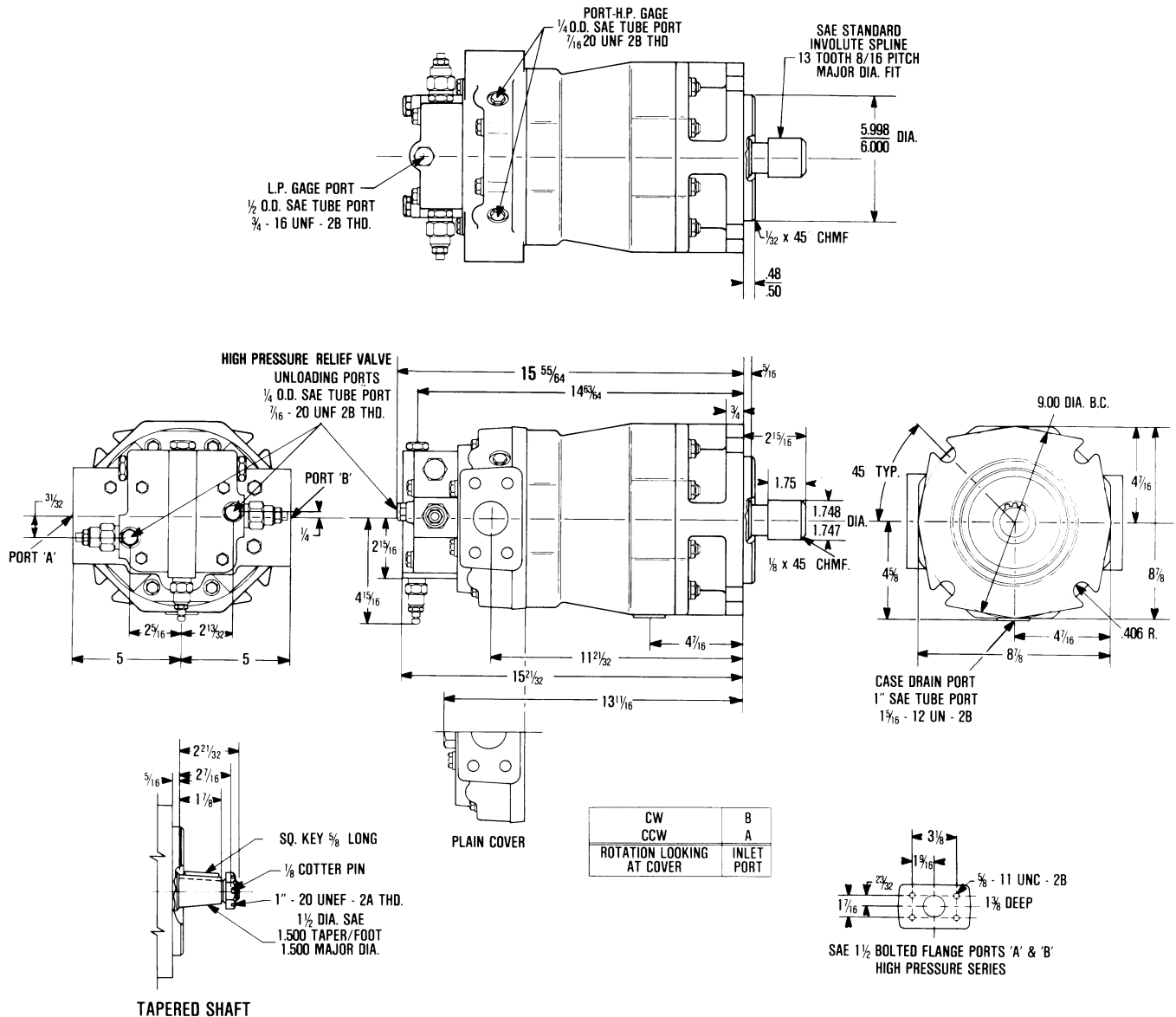


**DYNAPOWER MODEL 9.0 FIXED MOTOR  
SAE "D" FLANGE & SHAFT  
PARTS DRAWING**





## DYNAPOWER MODEL 9.0 FIXED MOTOR SAE "D" FLANGE & SHAFT PARTS DRAWING



SAE "D" FLANGE & SHAFT



**DYNAPOWER MODEL 9.0 FIXED MOTOR  
SAE "D" FLANGE & SHAFT**

| REF. NO. | PART NO. | REQ. NO | DESCRIPTION                                   |
|----------|----------|---------|---|
| 1        | 842919   | 1       | Valve Housing                                 |
| 2        | 870493   | 4       | Lock Washer                                   |
| 3        | 870277   | 4       | Hex Bolt                                      |
| 4        | 872869   | 1       | Plug  |
| 5        | 871908   | 1       | O` Ring                                       |
| 6        | 842566   | 2       | Plug  |
| 7        | 871912   | 2       | O` Ring                                       |
| 8        | 842564   | 2       | Spring  |
| 8A       | 842565   | 2       | Spring Retainer                               |
| 9        | 842567   | 1       | Shuttle Valve                                 |
| 10       | 872919   | 2       | H.P Relief Vlv. Cartridge (includes item 11)  |
| 11       | 872936   | 2       | Back-up/O` Ring                               |
| 12       | 872904   | 1       | L.P. Relief Vlv. Cartridge (includes item 13) |
| 13       | 872935   | 1       | Back-up/O` Ring Kit                           |
| 14       | 876112   | 1       | O` Ring                                       |
| 14A      | 876113   | 1       | O` Ring                                       |
| 15       | 876117   | 2       | O` Ring                                       |
| 15A      | 876119   | 2       | O` Ring                                       |
| 16       | 842586   | 1       | Plug  |
| 16A      | 871218   | 1       | O` Ring                                       |
| 17       | 872592   | 8       | Hex Bolt                                      |
| 18       | 870493   | 8       | Lock Washer                                   |
| 19       | 840146   | 4       | Plug  |
| 20       | 871904   | 5       | O` Ring                                       |
| 21       | 842916   | 1       | Cover   |
| 22       | 870098   | 1       | Roll Pin                                      |
| 23       | 842276   | 1       | Gasket  |
| 24       | 872874   | 1       | Bearing (included item #46)                   |
| 25       | 842917   | 1       | Valve Plate                                   |
| 26       | 842249   | 1       | Housing                                       |
| 28       | 872905   | 1       | Retaining Ring                                |
| 29       | 842263   | 1       | Upper Spring Seat                             |
| 30       | 842252   | 1       | Spring  |
| 31       | 842333   | 1       | Lower Spring Seat                             |
| 32       | 842244   | 1       | Block   |
| 33       | 842247   | 1       | Return Plate                                  |







**DYNAPOWER MODEL 9.0 FIXED MOTOR  
SAE "D" FLANGE & SHAFT**

| REF. NO. | PART NO. | REQ. NO | DESCRIPTION      |
|----------|----------|---------|------------------|
| 34       | 830699   | 1       | Piston Assembly  |
| 35       | 870183   | 4       | Hex Bolt         |
| 36       | 840981   | 4       | Tab Lock Washer  |
| 37       | 842495   | 2       | Crescent Clip    |
| 37A      | 842496   | 2       | Crescent Bearing |
| 38       | 842267   | 4       | Spacer           |
| 39       | 842246   | 1       | Wear Plate       |
| 40       | 870071   | 1       | Roll Pin         |
| 41       | 875264   | 1       | Square Ring      |
| 42       | 842257   | 1       | Flange SAE "D"   |
| 43       | 870493   | 8       | Lock Washer      |
| 44       | 870216   | 1       | Hex Bolt         |
| 45       | 871947   | 1       | Retaining Ring   |
| 46       |          | 1       | See Item #24     |
| 47       | 871952   | 2       | Retaining Ring   |
| 48       | 850163   | 1       | Shaft SAE "D"    |
| 49       | 871184   | 1       | Bearing          |
| 50       | 872752   | 1       | Retaining Ring   |
|          | 871248   | 1       | O` Ring SAE "D"  |
| 52       | 842912   | 1       | Shaft Seal       |
| 53       | 842268   | 1       | Seal Retainer    |
| 54       | 871950   | 1       | Retaining Ring   |

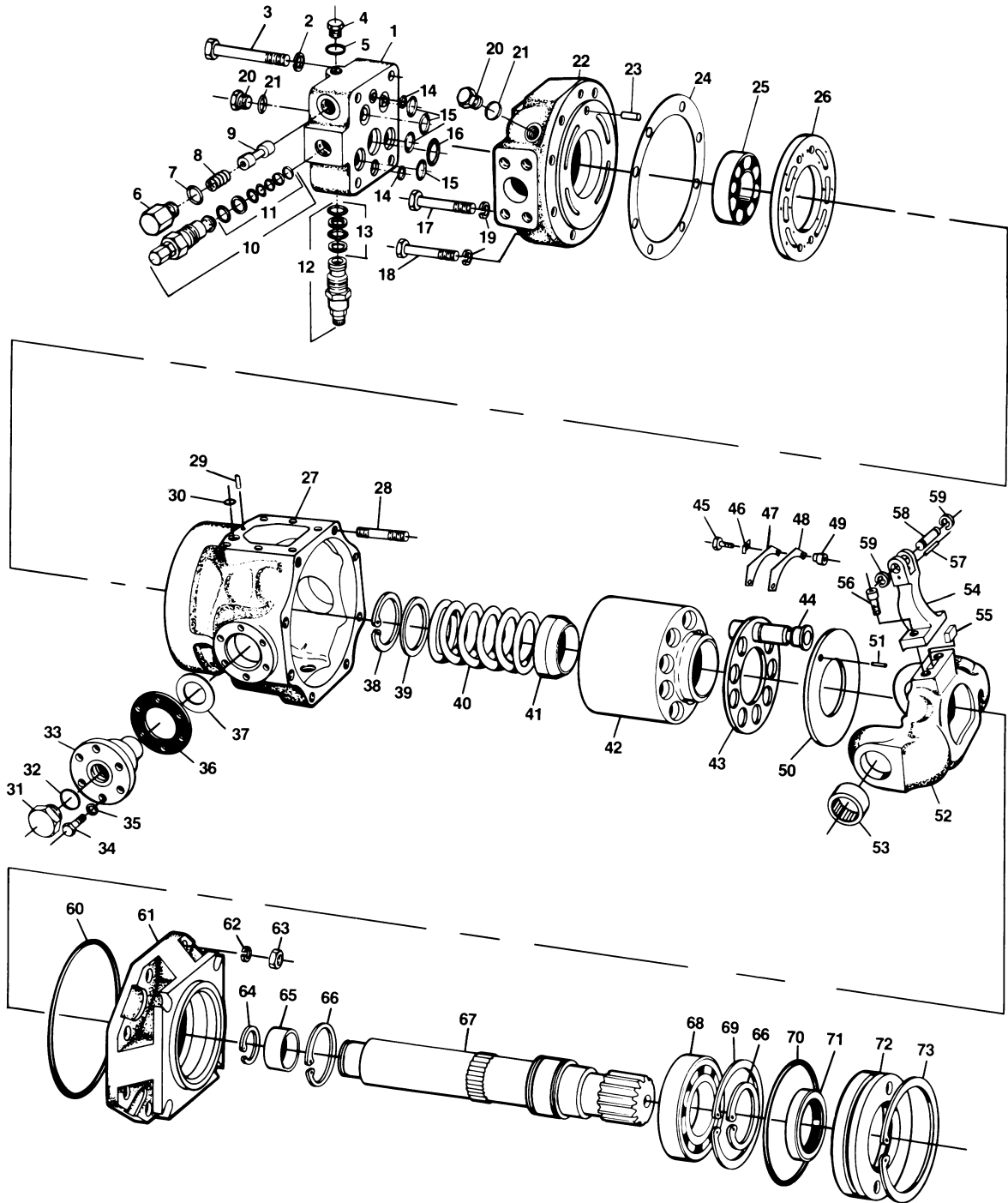
**SERVICE KITS**

| PART NO. | FLANGE TYPE | DESCRIPTION  |
|----------|-------------|--|
| 894400   | SAE "D"     | Shaft Seal Kit 51, 52, & 53  |
| 894418   | SAE "D"     | O` Ring & Gasket Kit 5,7,11,13,14,15,15A,16,20,23,32,36,41,51 & 52 |
| 894412   | SAE "D"     | Rotating Group Kit 25,28,29,30,31,32,33,34,35,36,37,37A,38 & 39    |



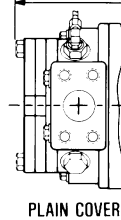
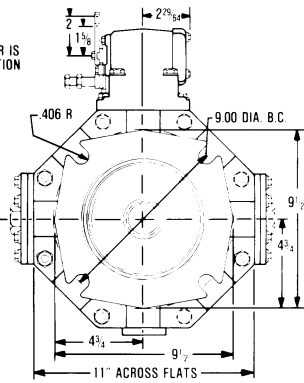
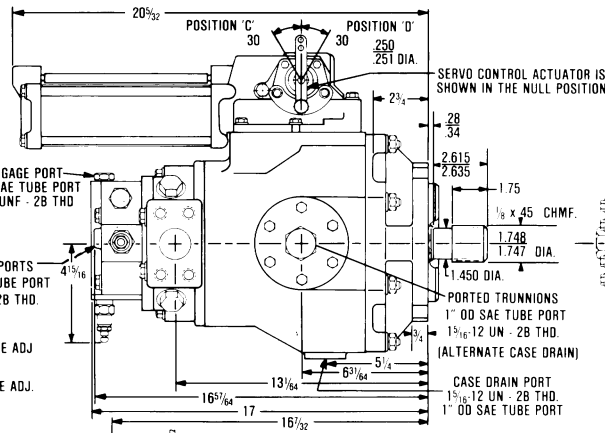
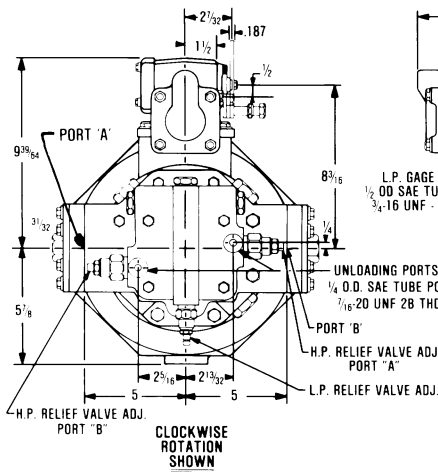
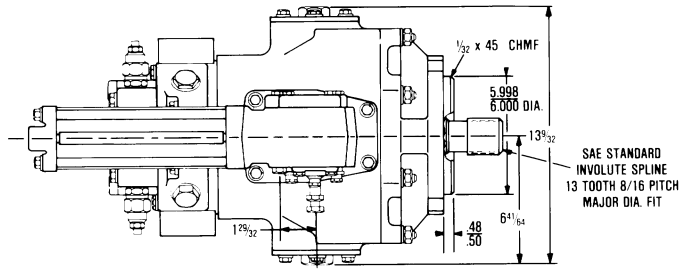


**DYNAPOWER MODEL 9.0 VARIABLE MOTOR  
SAE "D" FLANGE & SHAFT  
PARTS DRAWING**

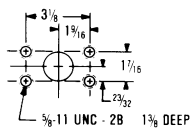




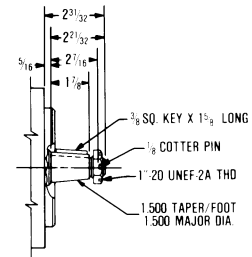
## DYNAPOWER MODEL 9.0 VARIABLE MOTOR SAE "D" FLANGE & SHAFT PARTS DRAWING



SAE "D" FLANGE & SHAFT



SAE  $1\frac{1}{2}$  BOLTED FLANGE PORTS 'A' & 'B'  
HIGH PRESSURE SERIES

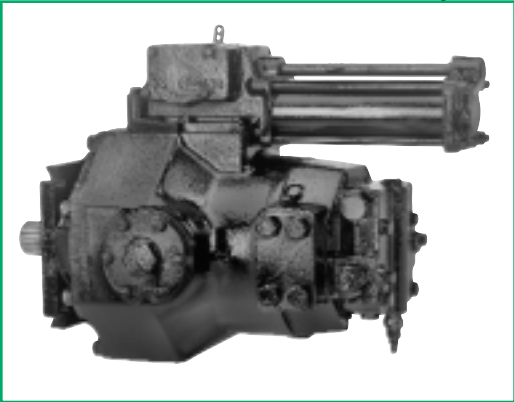


TAPERED SHAFT

| WITH ACTUATOR AT "C" AND INLET TO PORT | WITH ACTUATOR AT "D" AND INLET TO PORT | ROTATION LOOKING AT COVER WILL BE |
|--|--|-----------------------------------|
| A                                      | B                                      | CW                                |
| B                                      | A                                      | CCW                               |



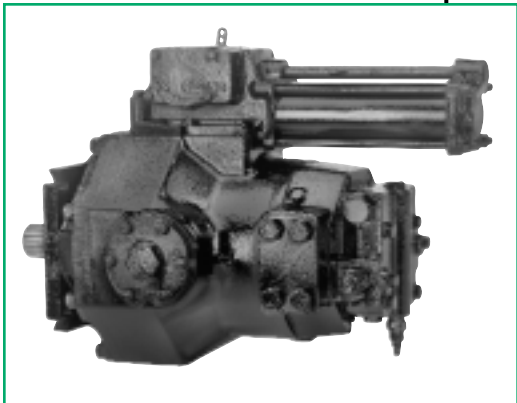
| <b>DYNAPOWER MODEL 9.0 VARIABLE MOTOR<br/>SAE "D" FLANGE &amp; SHAFT</b> |          |          |   |
|--|----------|----------|---|
| REF. NO.   | PART NO. | REQ. NO. | DESCRIPTION                                   |
| 1  | 842919   | 1        | Valve Housing                                 |
| 2  | 870493   | 4        | Lock Washer                                   |
| 3  | 870277   | 4        | Hex Bolt                                      |
| 4  | 872869   | 1        | Plug  |
| 5  | 871908   | 1        | O` Ring                                       |
| 6  | 842566   | 2        | Plug  |
| 7  | 871912   | 2        | O` Ring                                       |
| 8  | 842564   | 2        | Spring  |
| 8A   | 842565   | 2        | Spring Retainer                               |
| 9  | 842567   | 1        | Shuttle Valve                                 |
| 10   | 872919   | 2        | H.P. Relief Vlv. Cartridge (includes item 11) |
| 11   | 872936   | 2        | Back-up/O`ring Kit                            |
| 12   | 872904   | 1        | L.P. Relief Vlv. Cartridge (includes item 13) |
| 13   | 872935   | 1        | Back-up/O`ring Kit                            |
| 14   | 876117   | 1        | O` Ring                                       |
| 14A  | 876113   | 1        | O` Ring                                       |
| 15   | 876117   | 2        | O` Ring                                       |
| 15A  | 876119   | 2        | O` Ring                                       |
| 16   | 842586   | 1        | Plug  |
| 16A  | 871218   | 1        | O` Ring                                       |
| 17   | 870276   | 1        | Hex Bolt                                      |
| 18   | 870726   | 4        | Hex Bolt                                      |
| 19   | 870493   | 8        | Lock Washer                                   |
| 20   | 840146   | 5        | Plug  |
| 21   | 871904   | 5        | O` Ring                                       |
| 22   | 842916   | 1        | Cover   |
| 23   | 870098   | 1        | Roll Pin                                      |
| 24   | 842276   | 1        | Gasket  |
| 25   | 872874   | 1        | Bearing (includes item 65)                    |
| 26   | 842917   | 1        | Valve Plate                                   |
| 27   | 842266   | 1        | Housing (includes item 28)                    |
| 28   | 842386   | 8        | Stud  |
| 29   | 870095   | 1        | Roll Pin                                      |
| 30   | 871011   | 1        | O` Ring                                       |
| 31   | 872868   | 2        | Plug  |
| 32   | 871916   | 2        | O` Ring                                       |





**DYNAPOWER MODEL 9.0 VARIABLE MOTOR  
SAE "D" FLANGE & SHAFT**

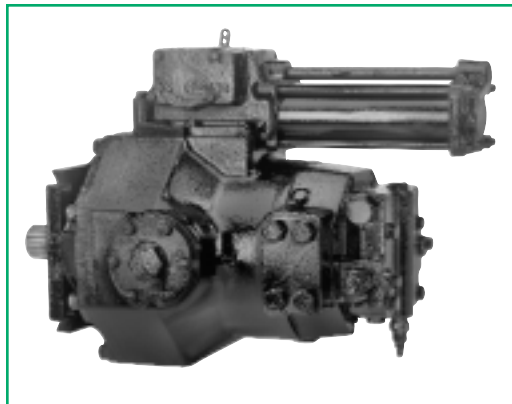
| REF. NO. | PART NO. | REQ. NO | DESCRIPTION                       |
|----------|----------|---------|-----------------------------------|
| 33       | 841061   | 2       | Trunnion                          |
| 34       | 870172   | 12      | Hex Bolt                          |
| 35       | 870491   | 12      | Lock Washer                       |
| 36       | 840948   | 2       | Gasket                            |
| 37       | 840947   | 2       | Thrust Washer                     |
| 38       | 872905   | 1       | Retaining Ring                    |
| 39       | 842263   | 1       | Upper Spring Seat                 |
| 40       | 842252   | 1       | Spring                            |
| 41       | 842333   | 1       | Lower Spring Seat                 |
| 42       | 842244   | 1       | Cylinder Block                    |
| 43       | 842269   | 1       | Return Plate                      |
| 44       | 830699   | 9       | Piston Assembly                   |
| 45       | 870213   | 4       | Hex Bolt                          |
| 46       | 840981   | 4       | Tab Lock Washer                   |
| 47       | 842493   | 2       | Crescent Clip                     |
| 48       | 842494   | 1       | Crescent Bearing                  |
| 49       | 842271   | 4       | Spacer                            |
| 50       | 842270   | 1       | Wear Plate                        |
| 51       | 870071   | 1       | Roll Pin                          |
| 52       | 840919   | 1       | Cam                               |
| 53       | 871186   | 2       | Trunnion Bearing                  |
| 54       | 842359   | 1       | Lever Assembly (includes item 57) |
| 55       | 840909   | 1       | Key                               |
| 56       | 870889   | 2       | Cap Screw                         |
| 57       | 871058   | 1       | Pin                               |
| 58       | 841033   | 1       | Clevis Pin                        |
| 59       | 871853   | 2       | Retaining Ring                    |
| 60       | 875271   | 1       | Square Ring                       |
| 61       | 842377   | 1       | Flange SAE "D"                    |
| 62       | 870494   | 8       | Lock Washer                       |
| 63       | 870568   | 8       | Hex Nut                           |
| 64       | 871947   | 1       | Retaining Ring                    |
| 65       |          | 1       | See Item 25                       |
| 66       | 871952   | 2       | Retaining Ring                    |
| 67       | 850190   | 1       | Shaft SAE "D"                     |
| 68       | 871184   | 1       | Bearing                           |





**DYNAPOWER MODEL 9.0 VARIABLE MOTOR  
SAE "D" FLANGE & SHAFT**

| REF. NO. | PART NO. | REQ. NO | DESCRIPTION         |
|----------|----------|---------|---------------------|
| 69       | 872752   | 1       | Retaining Ring      |
| 70       | 871248   | 1       | O`Ring SAE "D"      |
| 71       | 870107   | 1       | Shaft Seal          |
| 72       | 842268   | 1       | Seal Retainer       |
| 73       | 871950   | 1       | Retaining Ring      |
| 74       | 841067   | 1       | Cam Stop 0 degrees  |
|          | 841068   | 1       | Cam Stop 5 degrees  |
|          | 841069   | 1       | Cam Stop 7 degrees  |
|          | 841070   | 1       | Cam Stop 10 degrees |
| 75       | 870154   | 2       | Hex Bolt            |



**SERVICE KITS**

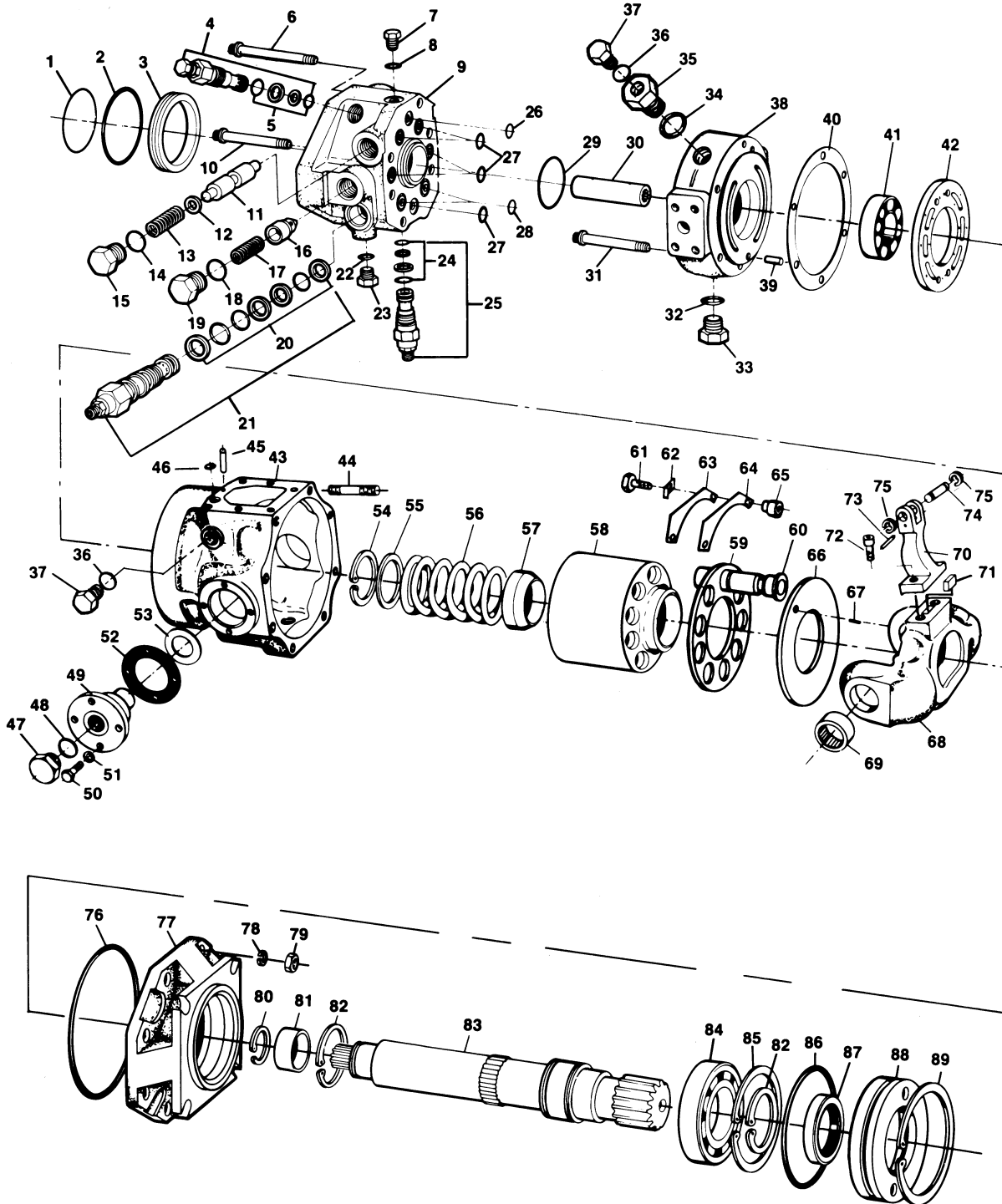
| PART NO. | FLANGE TYPE | DESCRIPTION   |
|----------|-------------|---|
| 894418   | SAE "D"     | O`Ring & Gasket<br>5,7,11,12,14,15,15A,16,21,24,32,36,41,60,70 & 71 |
| 894400   | SAE "D"     | Shaft Seal Kit 70,71 & 72   |
| 894409   | SAE "D"     | Rotating Group<br>26,38,39,40,41,42,43,44,45,46,47,48,49 & 50       |



# DYNAPOWER

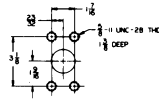


## DYNAPOWER MODEL 9.0 PUMPVAL SAE "D" FLANGE & SHAFT PARTS DRAWING

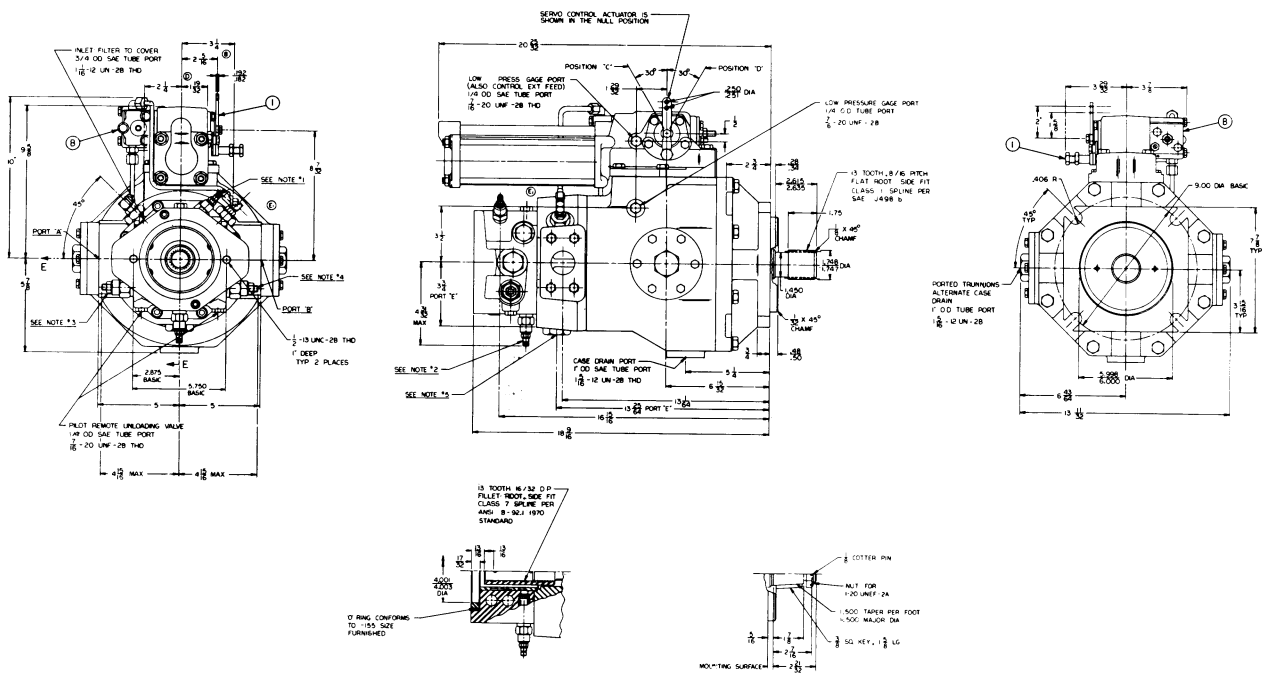




## DYNAPOWER MODEL 9.0 PUMPVAL SAE "D" FLANGE & SHAFT PARTS DRAWING



1 1/2 BOLTED SAE FLANGE  
PORTS X 6 1/2"  
HIGH PRESSURE SERIES



| REF. NO. | PART NO. | NO. REQ. | DESCRIPTION                |
|----------|----------|----------|----------------------------|
| 1        | 871115   | 1        | O'Ring                     |
| 2        | 871248   | 1        | O'Ring                     |
| 3        | 842517   | 1        | Adapter Ring               |
| 4        | 842964   | 1        | C/P Relief Valve Cartridge |
| 5        | 872935   | 1        | O'Ring/Back-Up Ring Kit    |
| 6        | 872951   | 2        | Socket Head Bolt           |
| 6A       | 842737   | 4        | Washer                     |
| 6B       | 873311   | 4        | Seal                       |
| 7        | 872675   | 1        | Hex Plug                   |
| 8        | 871906   | 1        | O'Ring                     |





**DYNAPOWER MODEL 9.0 PUMPVAL  
SAE "D" FLANGE & SHAFT**

| REF. NO. | PART NO. | NO. REQ. | DESCRIPTION                      |
|----------|----------|----------|----------------------------------|
| 9        | 842906   | 1        | R/V Body                         |
| 10       | 872950   | 4        | Socket Head Bolt                 |
| 11       | 842567   | 1        | Shuttle                          |
| 12       | 842565   | 2        | Spring Retainer                  |
| 13       | 842564   | 2        | Spring                           |
| 14       | 871912   | 2        | O'Ring                           |
| 15       | 842566   | 2        | Hex Plug                         |
| 16       | 840925   | 2        | Check Valve                      |
| 17       | 840999   | 2        | Check Spring                     |
| 18       | 871912   | 2        | O'Ring                           |
| 18       | 840924   | 2        | Hex Plug                         |
| 20       | 872936   | 2        | O'Ring/Back-Up Ring Kit          |
| 21       | 872919   | 2        | H/P Relief Valve Cartridge       |
| 22       | 871904   | 2        | O'Ring                           |
| 23       | 840146   | 2        | Hex Plug                         |
| 24       | 872935   | 1        | O'Ring/Back-Up Ring Kit          |
| 25       | 872904   | 1        | L/P Relief Valve Cartridge       |
| 26       | 871113   | 1        | O'Ring                           |
| 27       | 876117   | 5        | O'Ring                           |
| 28       | 876119   | 2        | O'Ring                           |
| 29       | 871139   | 1        | O'Ring                           |
| 30       | 842519   | 1        | Torque Tube                      |
| 31       | 872952   | 6        | Socket Head Bolt                 |
| 32       | 871912   | 1        | O'Ring                           |
| 33       | 872678   | 1        | Hex Plug                         |
| 34       | 871912   | 2        | O'Ring                           |
| 35       | 842047   | 2        | Hex Plug                         |
| 36       | 871904   | 3        | O'Ring                           |
| 37       | 840146   | 3        | Hex Plug                         |
| 38       | 842915   | 1        | Cover                            |
| 39       | 870098   | 1        | Pin                              |
| 40       | 842276   | 1        | Gasket                           |
| 41       | 872874   | 1        | Bearing (includes item 81)       |
| 42       | 842917   | 1        | Valve Plate                      |
| 43       | 842266   | 1        | Housing (Includes Items 44 & 45) |
| 44       | 842386   | 8        | Stud                             |
| 45       | 870095   | 1        | Roll Pin                         |
| 46       | 871011   | 1        | O'Ring                           |
| 47       | 872868   | 2        | Plug                             |
| 48       | 871916   | 2        | O'Ring                           |
| 49       | 841061   | 2        | Trunnion                         |
| 50       | 870172   | 12       | Hex Bolt                         |
| 51       | 870491   | 12       | Lock Washer                      |
| 52       | 840948   | 2        | Gasket                           |
| 53       | 840947   | 2        | Thrust Washer                    |





**DYNAPOWER MODEL 9.0 PUMPVAL  
SAE "D" FLANGE & SHAFT**

| REF. NO. | PART NO. | NO. REQ. | DESCRIPTION                       |
|----------|----------|----------|-----------------------------------|
| 54       | 840947   | 1        | Retaining Ring                    |
| 55       | 842263   | 1        | Upper Spring Seat                 |
| 56       | 842252   | 1        | Spring                            |
| 57       | 842333   | 1        | Lower Spring Seat                 |
| 58       | 842244   | 1        | Cylinder Block                    |
| 59       | 842269   | 1        | Return Plate                      |
| 60       | 830699   | 9        | Piston Assembly                   |
| 61       | 870213   | 4        | Hex Bolt                          |
| 62       | 840981   | 4        | Tab Lock Washer                   |
| 63       | 842493   | 2        | Crescent Clip                     |
| 64       | 842494   | 2        | Crescent Bearing                  |
| 65       | 842271   | 4        | Spacer                            |
| 66       | 842270   | 1        | Wear Plate                        |
| 67       | 870071   | 1        | Roll Pin                          |
| 68       | 840919   | 1        | Cam                               |
| 69       | 871186   | 2        | Trunnion Bearing                  |
| 70       | 842359   | 1        | Lever Assembly (Includes Item 72) |
| 71       | 840909   | 1        | Key                               |
| 72       | 870889   | 2        | Cap Screw                         |
| 73       | 871058   | 1        | Pin                               |
| 74       | 841033   | 1        | Clevis Pin                        |
| 75       | 871953   | 2        | Retaining Ring                    |
| 76       | 875271   | 1        | Square Ring                       |
| 77       | 842273   | 1        | Flange SAE "D"                    |
| 78       | 870494   | 8        | Lock Washer                       |
| 79       | 870568   | 8        | Hex Nut                           |
| 80       | 871947   | 1        | Retaining Ring                    |
| 81       |          | 1        | See Item 41                       |
| 82       | 871952   | 2        | Retaining Ring                    |
| 83       | 842520   | 1        | Shaft SAE "D"                     |
| 84       | 871184   | 1        | Bearing                           |
| 85       | 872752   | 1        | Retaining Ring                    |
| 86       | 871248   | 1        | O'Ring SAE "D"                    |
| 87       | 870107   | 1        | Shaft Seal                        |
| 88       | 842268   | 1        | Seal Retainer                     |
| 89       | 871959   | 1        | Retaining Ring                    |



**SERVICE KITS**

| Part No. | Flange Type | Description  |
|----------|-------------|--|
| 894486   | SAE "D"     | O'Ring & Gasket Kit 1, 2, 5, 8, 14, 18, 20, 22, 24, 26, 27, 28, 29, 32, 34, 40, 48, 52, 76, 86, & 87 |
| 894400   | SAE "D"     | Shaft Seal Kit 86, 87, & 88  |
| 894409   | SAE "D"     | Rotating Group Kit 42, 54, 55, 56, 57, 58, 59, 60, 61, 62, 63, 64, 65, & 66                          |