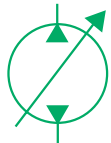
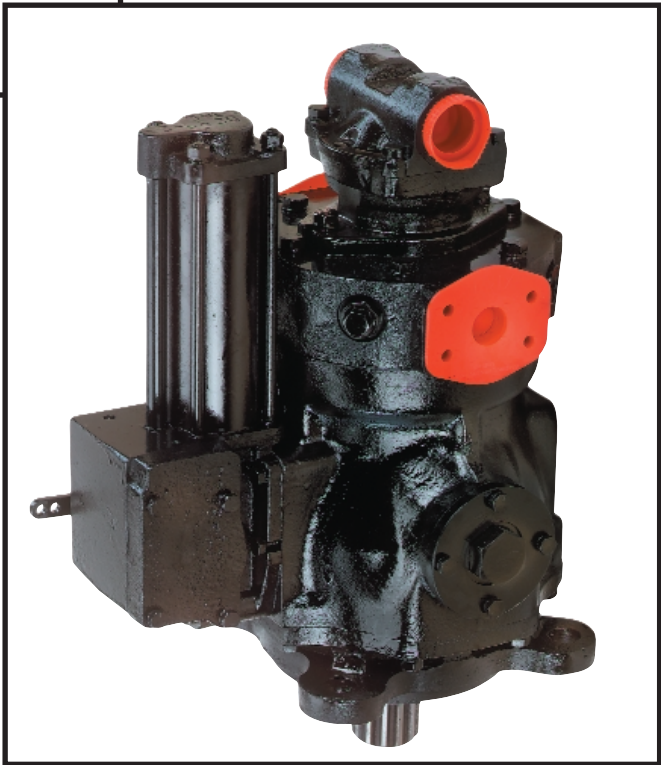
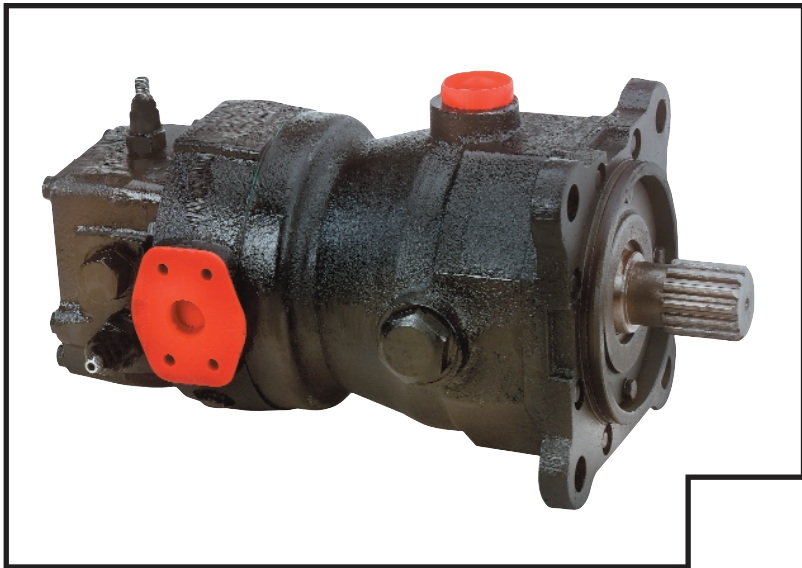


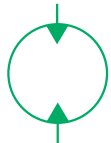
# DynaPower Generation II

[Return to DYNAPOWER index](#)

[Return to MAIN index](#)

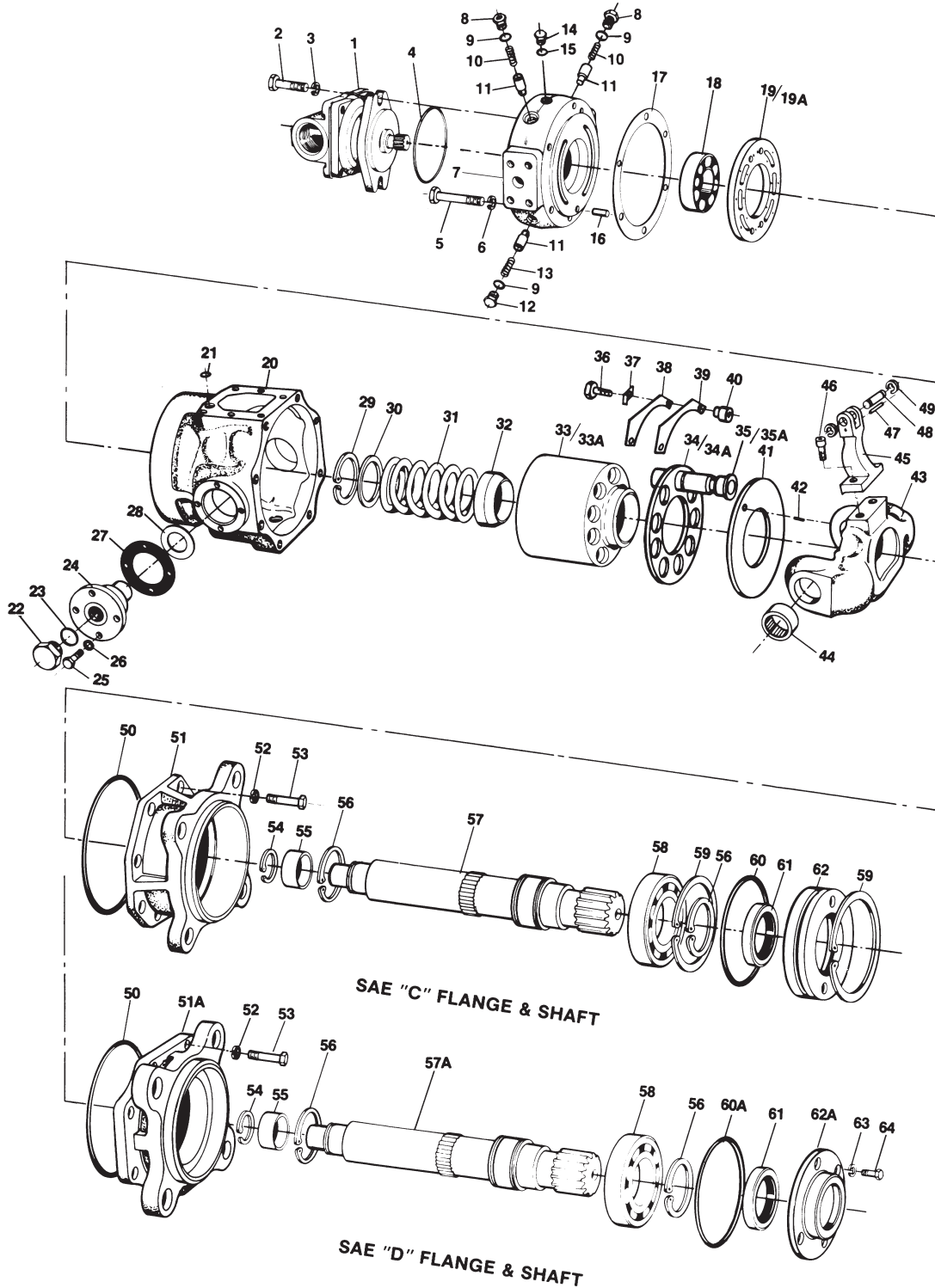


**DYNAPOWER**



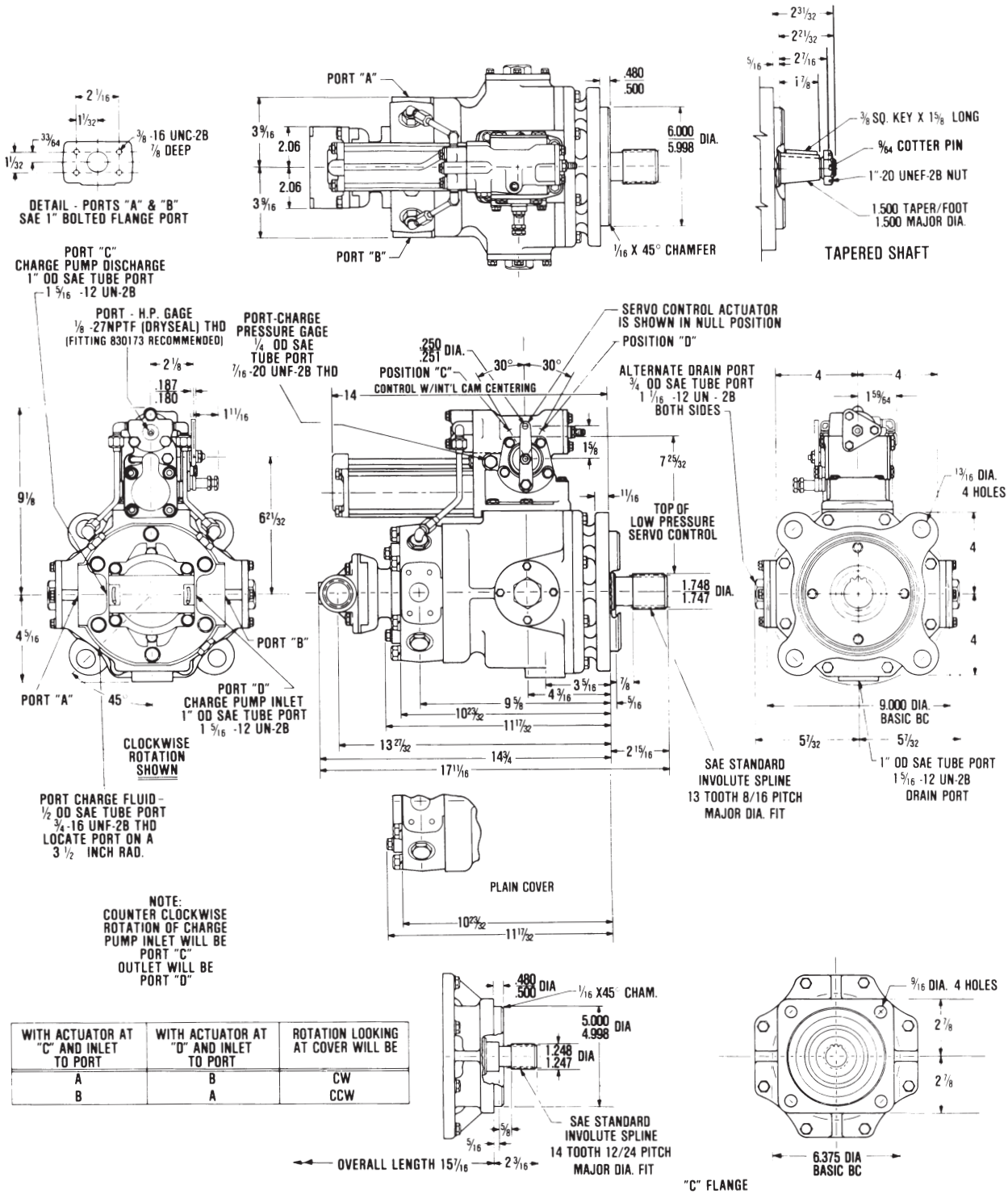


## DYNAPOWER MODEL 4.8 & 6.0 VARIABLE PUMP PARTS DRAWING





## DYNAPOWER MODEL 4.8 & 6.0 VARIABLE PUMP PARTS DRAWING

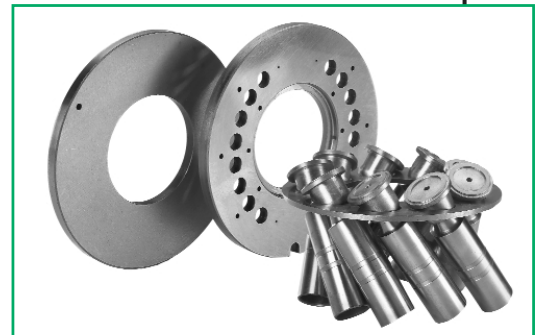


WITH ACTUATOR AT "C" AND INLET TO PORT	WITH ACTUATOR AT "D" AND INLET TO PORT	ROTATION LOOKING AT COVER WILL BE
A	B	CW
B	A	CCW



**DYNAPOWER MODEL 4.8 & 6.0 VARIABLE PUMP**

REF. NO.	PART NO.	REQ. NO.	DESCRIPTION
1	873164	1	Charge Pump 1.2
2	870184	2	Hex Bolt
3	870492	2	Lock Washer
4	871152	1	O'Ring
5	870274	6	Hex Bolt
6	870492	6	Lock Washer
7	843027	1	Cover (Code 62 Port)
8	841775	2	Plug
9	871908	3	O'Ring
10	840036	2	Spring
11	840035	3	Plunger
12	842334	1	Plug
13	842210	1	Spring
14	840146	3	Plug
15	871904	3	O'Ring
16	870097	1	Roll Pin
17	850142	1	Gasket
18	870648	1	Bearing (includes item 55)
19	842904	1	Valve Plate-4.8 CIR
19A	842912	1	Valve Plate-6.0CIR
20	842211	1	Housing
21	871011	1	O'Ring
22	872678	2	Plug
23	871912	2	O'Ring
24	840756	2	Trunnion
25	870160	8	Hex Bolt
26	870480	8	Lock Washer
27	840031	2	Gasket
28	840029	2	Thrust Washer
29	870103	1	Retaining Ring
30	840023	1	Upper Spring Seat
31	840022	1	Spring
32	842742	1	Lower Spring Seat
33	841664	1	Cylinder Block-4.8 CIR
33A	841665	1	Cylinder Block-6.0 CIR
34	841225	1	Return Plate-4.8 CIR
34A	840898	1	Return Plate-6.0 CIR
35	830697	9	Piston Assembly-4.8 CIR
35A	830698	9	Piston Assembly-6.0 CIR
36	870181	4	Hex Bolt
37	841163	4	Tab Lock Washer
38	850061	2	Crescent Clip
39	850060	2	Crescent Bearing





**DYNAPOWER MODEL 4.8 & 6.0 VARIABLE PUMP**

REF. NO.	PART NO.	REQ. NO.	DESCRIPTION
40	841248	4	Spacer
41	841226	1	Wear Plate
42	870045	1	Roll Pin
43	841185	1	Cam
44	870647	2	Trunnion Bearing
45	840897	1	Lever Assy (includes item 47)
46	870888	2	Cap Screw
47	840067	1	Pin
48	840059	1	Clevis Pin
49	870100	2	Retaining Ring
50	875261	1	Square Ring
51	841761	1	Flange SAE "C"
51A	841228	1	Flange SAE "D"
52	870492	8	Lock Washer
53	870194	8	Hex Bolt
54	870101	1	Retaining Ring
55		1	See Item 18
56	870102	2	Retaining Ring
57	850139	1	Shaft SAE "C"
57A	850138	1	Shaft SAE "D"
58	870642	1	Bearing
59	872807	2	Retaining Ring
60	871242	1	O'Ring SAE "C"
60A	875243	1	Square Ring SAE "D"
61	870107	1	Shaft Seal
62	841766	1	Seal Retainer (used with items 51,57,59,60,& 61)
62A	842398	1	Seal Retainer (used with items 51A,57A,60A,61,63 & 64)
63	870480	4	Lock Washer
64	870170	4	Hex Bolt

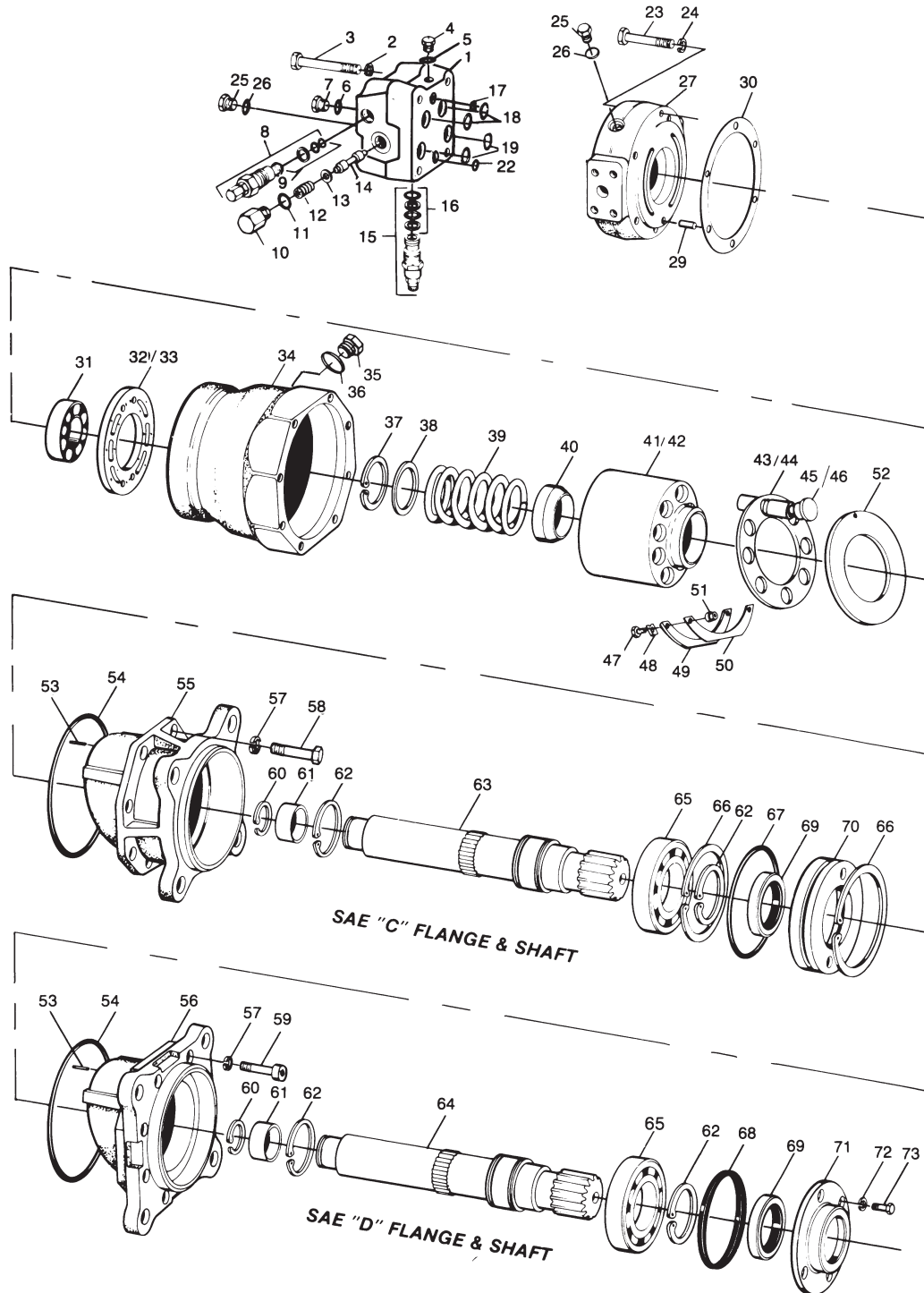


**SERVICE KITS**

PART NO.	FLANGE TYPE	DESCRIPTION
894415	SAE "C" & "D"	O'Ring and Gasket Kit 4,9,15,17,23,27,50,60,60A, & 61
894300	SAE "C"	Shaft Seal Kit 60,61,62
894192	SAE "D"	Shaft Seal Kit 60A,61,62A,64
894425	SAE "C" & "D"	4.8 Rotating Group Kit 19,29,30,31,32,33,34,35,36,37,38,39,40, & 41
894427	SAE "C" & "D"	6.0 Rotating Group Kit 19A,29,30,31,32,33A,34A,35A,36,37,38,39,40, & 41



**DYNAPOWER MODEL 4.8 & 6.0 GENERATON II FIXED MOTOR  
SAE "C & D" FLANGE & SHAFT  
PARTS DRAWING**

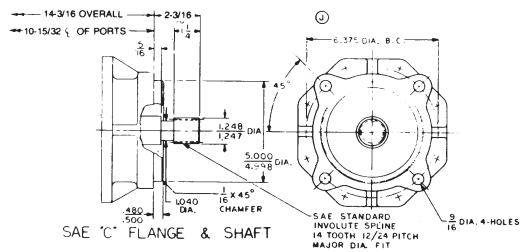
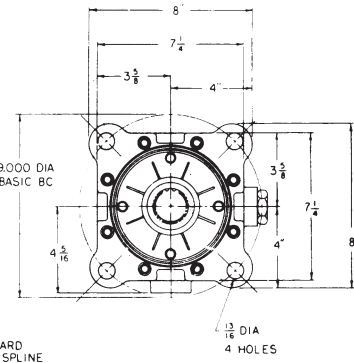
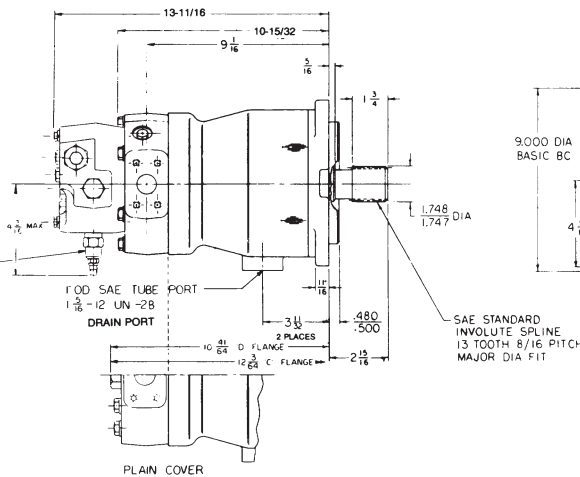
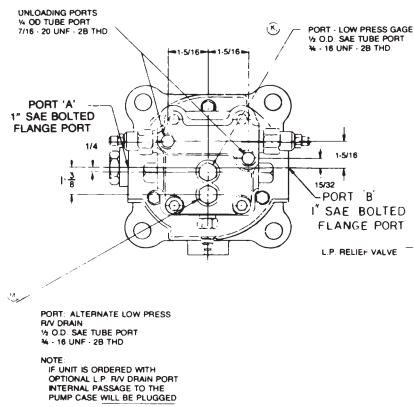
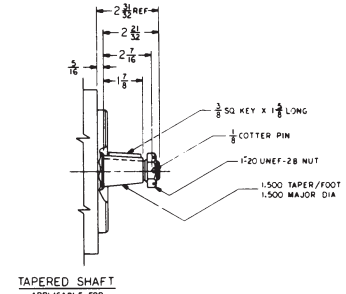
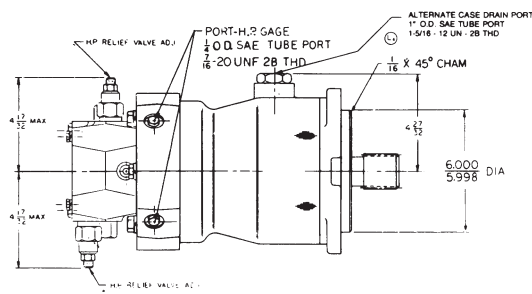
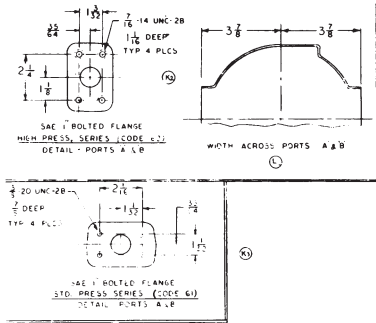




# DYNAPOWER



## DYNAPOWER MODEL 4.8 & 6.0 GENERATION II FIXED MOTOR SAE "C & D" FLANGE & SHAFT PARTS DRAWING



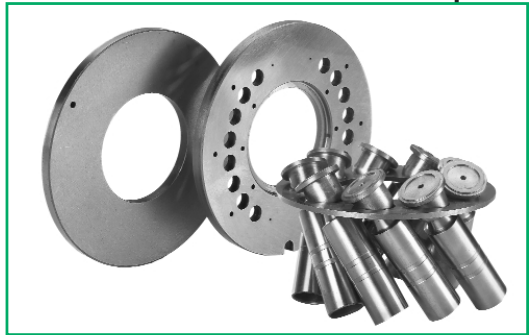


# DYNAPOWER



## DYNAPOWER MODEL 4.8 & 6.0 GENERATON II FIXED MOTOR SAE "C & D" FLANGE & SHAFT

REF. NO.	REQ. NO	NO. REQ.	DESCRIPTION
1	843101	1	Valve Housing
2	870492	4	Lock Washer
3	870736	4	Hex Bolt
4	873007	1	Plug
5	871904	1	O'Ring
6	871908	2	O'Ring
7	872869	2	Plug
8	872919	2	H.P. Relief Cartridge (includes item 9)
9	872936	2	O'Ring/Back-Up Ring Kit
10	842743	2	Plug
11	871910	2	O'Ring
12	842131	2	Spring
13	842130	2	Retainer
14	842129	1	Shuttle Valve
15	872904	1	L.P. Relief Vlv. Cartridge (includes item 16)
16	872935	1	O'Ring/Back-Up Ring Kit
17	876113	1	O'Ring
18	876119	2	O'Ring
19	876118	2	O'Ring
22	876119	1	O'Ring
23	870274	6	Hex Bolt
24	870492	6	Lock Washer
25	840146	4	Plug
26	871904	4	O'Ring
27	843092	1	Cover (Code 62 ports)
29	870097	1	Roll Pin
30	850142	1	Gasket
31	870648	1	Bearing
32	842912	1	Valve Plate 6.0 CIR
33	842904	1	Valve Plate 4.8 CIR
34	842204	1	Housing
35	872868	1	Plug
36	871916	1	O'Ring
37	870103	1	Retainer Ring
38	840023	1	Upper Spring Seat
39	840022	1	Spring
40	842742	1	Lower Spring Seat
41	841665	1	Block 6.0 CIR
42	841664	1	Block 4.8 CIR
42	840898	1	Return Plate 6.0 CIR





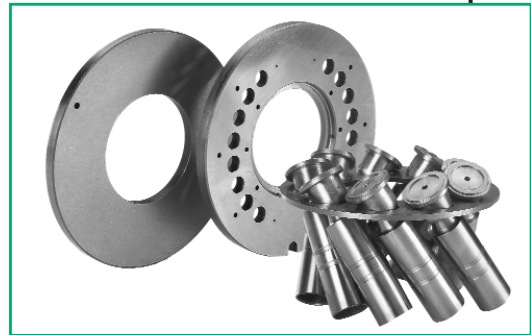


# DYNAPOWER



## DYNAPOWER MODEL 4.8 & 6.0 GENERATON II FIXED MOTOR SAE "C & D" FLANGE & SHAFT

REF. NO.	REQ. NO	NO. REQ.	DESCRIPTION
44	841225	1	Return Plate 4.8 CIR
45	830698	9	Piston Assembly 6.0 CIR
46	830697	9	Piston Assembly 4.8 CIR
47	870151	4	Hex Bolt
48	841163	4	Tab Lock Washer
49	850061	2	Crescent Clip
50	850060	2	Crescent Bearing
51	841321	4	Spacer
52	841226	1	Wear Plate
53	870045	1	Roll Pin
54	875163	1	Square Ring
55	841764	1	Flange SAE "C"
56	841186	1	Flange SAE "D"
57	870492	8	Lock Washer
58	870194	8	Hex Bolt
59	872734	8	Socket Hd. Cap Screw
60	870101	1	Retaining Ring
61		1	See Item 31
62	870102	2	Retaining Ring
63	841768	1	Shaft SAE "C"
64	841707	1	Shaft SAE "D"
65	870642	1	Bearing
66	872807	2	Retaining Ring
67	871242	1	O'Ring SAE "C"
68	875243	1	Square Ring SAE "D"
69	870107	1	Shaft Seal
70	841766	1	Seal Retainer (use with items 55,63,66,67&69)
71	842398	1	Seal Retainer (use with items 56,64,68,69,72&73)
72	870480	4	Lock Washer
73	870170	4	Hex Bolt

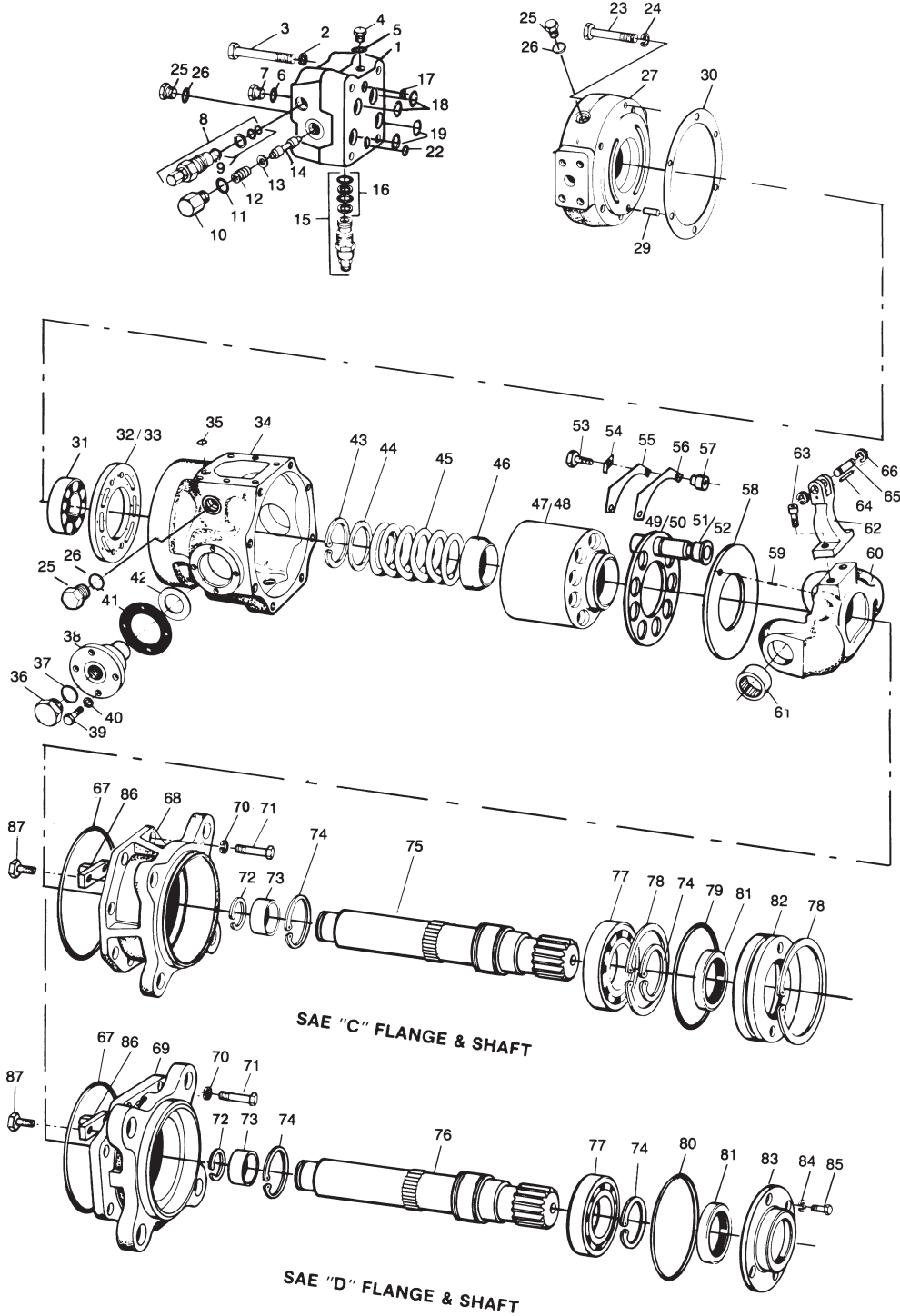


### SERVICE KITS

PART NO.	FLANGE TYPE	DESCRIPTION
894413	SAE "C" & "D"	O'Ring and Gasket Kit 5,6,9,11,16,17,18,19,22,26,30,36,54,67,68,69
894300	SAE "C"	Shaft Seal Kit 67,69,70
894192	SAE "D"	Shaft Seal Kit 68,69,71"
894428	SAE "C" & "D"	4.8 Rotating Group Kit 33,37,38,39,40,42,44,46,47,48,49,50,51,52
894426	SAE "C" & "D"	6.0 Rotating Group Kit 32,37,38,39,40,41,43,45,47,48,49,50,51,52

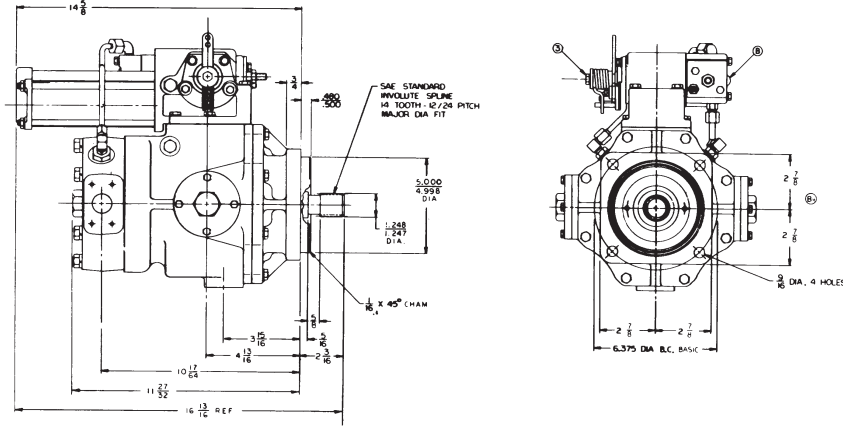


## DYNAPOWER MODEL 4.8 & 6.0 VARIABLE MOTOR SAE "C & D" FLANGE & SHAFT PARTS DRAWING

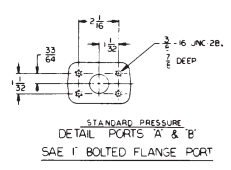




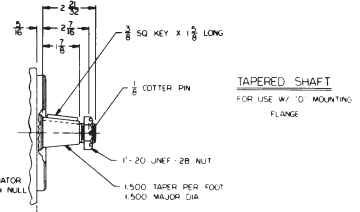
**DYNAPOWER MODEL 4.8 & 6.0 VARIABLE MOTOR  
SAE "C & D" FLANGE & SHAFT  
PARTS DRAWING**



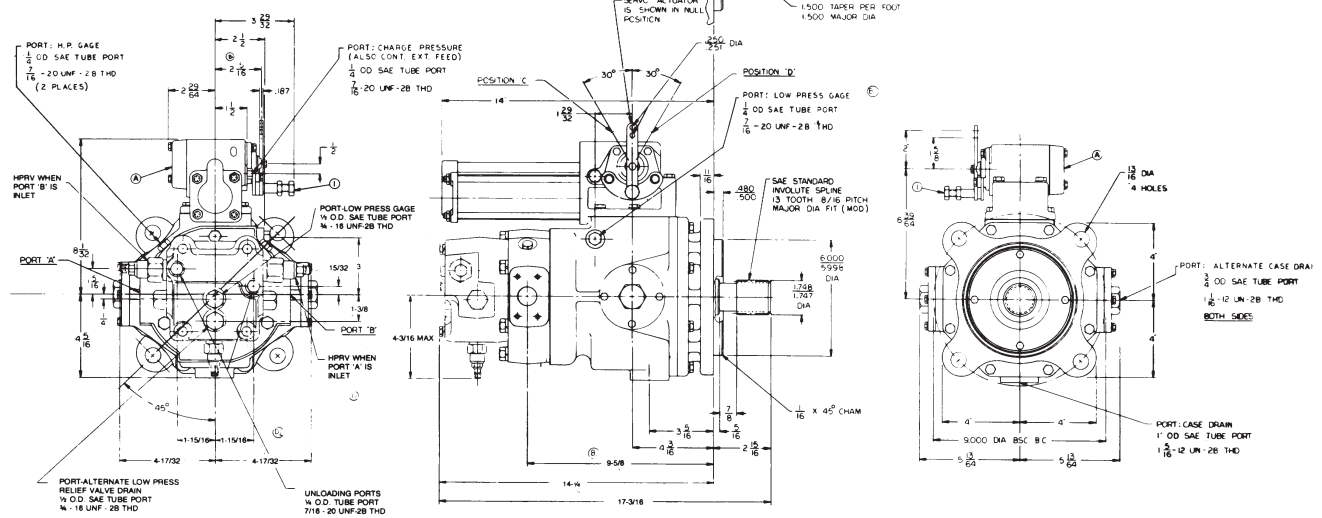
MOTOR VAR 'C' MOUNTING FLANGE  
PLAIN COVER



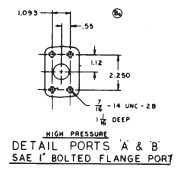
STANDARD PRESSURE  
DETAIL PORTS 'A' & 'B'  
SAE 1 BOLTED FLANGE PORT



TAPERED SHAFT  
FOR USE W/ 'D' MOUNTING  
FLANGE



NOTE:  
IF UNIT IS ORDERED WITH  
OPTIONAL I.P. RVY DRAIN  
PORT, INTERNAL PASSAGE  
TO THE RUMP CASE  
WILL BE PLUGGED

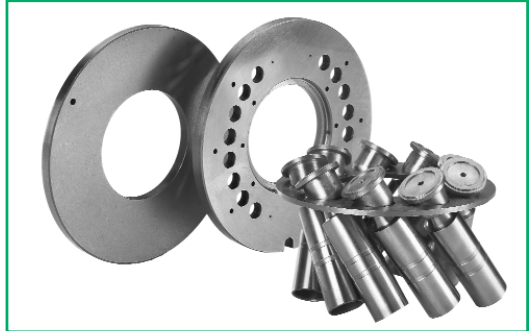


HIGH PRESSURE  
DETAIL PORTS 'A' & 'B'  
SAE 1 BOLTED FLANGE PORT



**DYNAPOWER MODEL 4.8 & 6.0 VARIABLE MOTOR  
SAE "C & D" FLANGE & SHAFT**

REF. NO.	PART NO.	REQ. NO	DESCRIPTION
1	843101	1	Valve Housing
2	870492	4	Lock Washer
3	870736	4	Hex Bolt
4	873007	1	Plug
5	871904	1	O'Ring
6	871908	2	O'Ring
7	872869	2	Plug
8	872919	2	H.P. Relief Vlv. Cartridge (includes item 9)
9	872948	2	O'Ring/Back-Up Ring Kit
10	842132	2	Plug
11	871910	2	O'Ring
12	842131	2	Spring
13	842130	2	Retainer
14	842129	1	Shuttle Valve
15	872904	1	L.P. Relief Vlv. Cartridge (includes item 16)
16	872935	1	O'Ring/Back-Up Ring Kit
17	876113	1	O'Ring
18	876119	2	O'Ring
19	876118	2	O'Ring
22	871119	1	O'Ring
23	870274	6	Hex Bolt
24	870492	6	Lock Washer
25	840146	3	Plug
26	871904	3	O'Ring
27	843902	1	Cover (Code 62 Ports)
29	870097	1	Roll Pin
30	850142	1	Gasket
31	870648	1	Bearing
32	842904	1	Valve Plate 4.8 CIR
33	842912	1	Valve Plate 6.0 CIR
34	842211	1	Housing
35	871011	1	O'Ring
36	872678	2	Plug
37	871912	2	O'Ring
38	840756	2	Trunnion
39	870160	8	Hex Bolt
40	870480	8	Lock Washer
41	840031	2	Gasket
42	840029	2	Thrust Washer





**DYNAPOWER MODEL 4.8 & 6.0 VARIABLE MOTOR  
SAE "C & D" FLANGE & SHAFT**

REF. NO.	PART NO.	REQ. NO	DESCRIPTION
43	870103	1	Retaining Ring
44	840023	1	Upper Spring Seat
45	840022	1	Spring
46	842742	1	Lower Spring Seat
47	841664	1	Cylinder Block 4.8 CIR
48	841665	1	Cylinder Block 6.0 CIR
49	841225	1	Return Plate 4.8 CIR
50	840898	1	Return Plate 6.0 CIR
51	830697	9	Piston Assembly 4.8 CIR
52	830698	9	Piston Assembly 6.0 CIR
53	870181	4	Hex Bolt
54	841163	4	Tab Lock Washer
55	850061	2	Crescent Clip
56	850060	2	Crescent Bearing
57	841248	4	Spacer
58	841226	1	Wear Plate
59	870045	1	Roll Pin
60	841185	1	Cam
61	870647	2	Trunnion Bearing
62	840897	1	Lever
63	870888	2	Cap Screw
64	840067	1	Pin
65	840059	1	Clevis Pin
66	870100	2	Retaining Ring
67	875261	1	Square Ring
68	841821	1	Flange SAE "C"
69	841284	1	Flange SAE "D"
70	870492	8	Lock Washer
71	870194	8	Hex Bolt
72	870101	1	Retaining Ring
73		1	See Item 31
74	870102	2	Retaining Ring
75	850143	1	Shaft SAE "C"
76	850145	1	Shaft SAE "D"
77	870642	1	Bearing
78	872807	2	Retaining Ring
79	871242	1	O'Ring SAE "C"
80	875243	1	Square Ring SAE "D"
81	870107	1	Shaft Seal





**DYNAPOWER MODEL 4.8 & 6.0 VARIABLE MOTOR  
SAE "C & D" FLANGE & SHAFT**

REF. NO.	PART NO.	REQ. NO	DESCRIPTION
82	841766	1	Seal Retainer (used with "C" flange)
83	842398	1	Seal Retainer (used with "D" flange)
84	870480	4	Lock Washer
85	870170	4	Hex Bolt
86	840165	1	0 Degree Cam Stop
	840170	1	5 Degree Cam Stop
	840172	1	7 Degree Cam Stop
	840175	1	10 Degree Cam Stop
87	870162	2	Hex Bolt

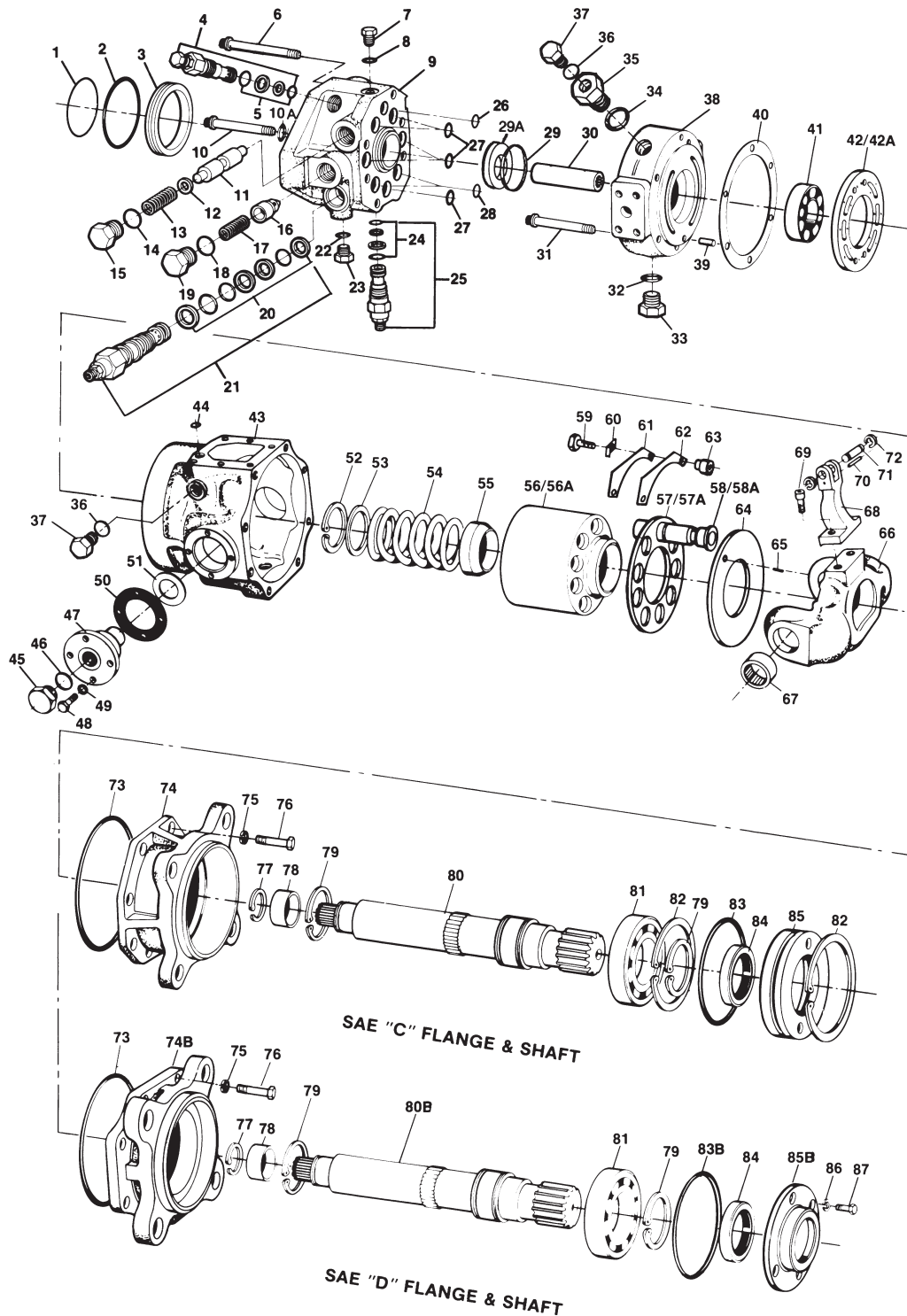
**SERVICE KITS**

PART NO.	FLANGE TYPE	DESCRIPTION
894414	SAE "C" & "D"	O'Ring and Gasket Kit 5,9,11,16,17,18,19,25,29,35,37,41,42,56,79,80,81
894300	SAE "C"	Shaft Seal Kit 79,81,82
894192	SAE "D"	Shaft Seal Kit 80,81,83
894425	SAE "C" & "D"	4.8 Rotating Group Kit 33,43,44,45,46,47,49,51,53,54,55,56,57,58
894427	SAE "C" & "D"	6.0 Rotating Group Kit 32,43,44,45,46,47,48,50,52,53,54,55,56,57,58



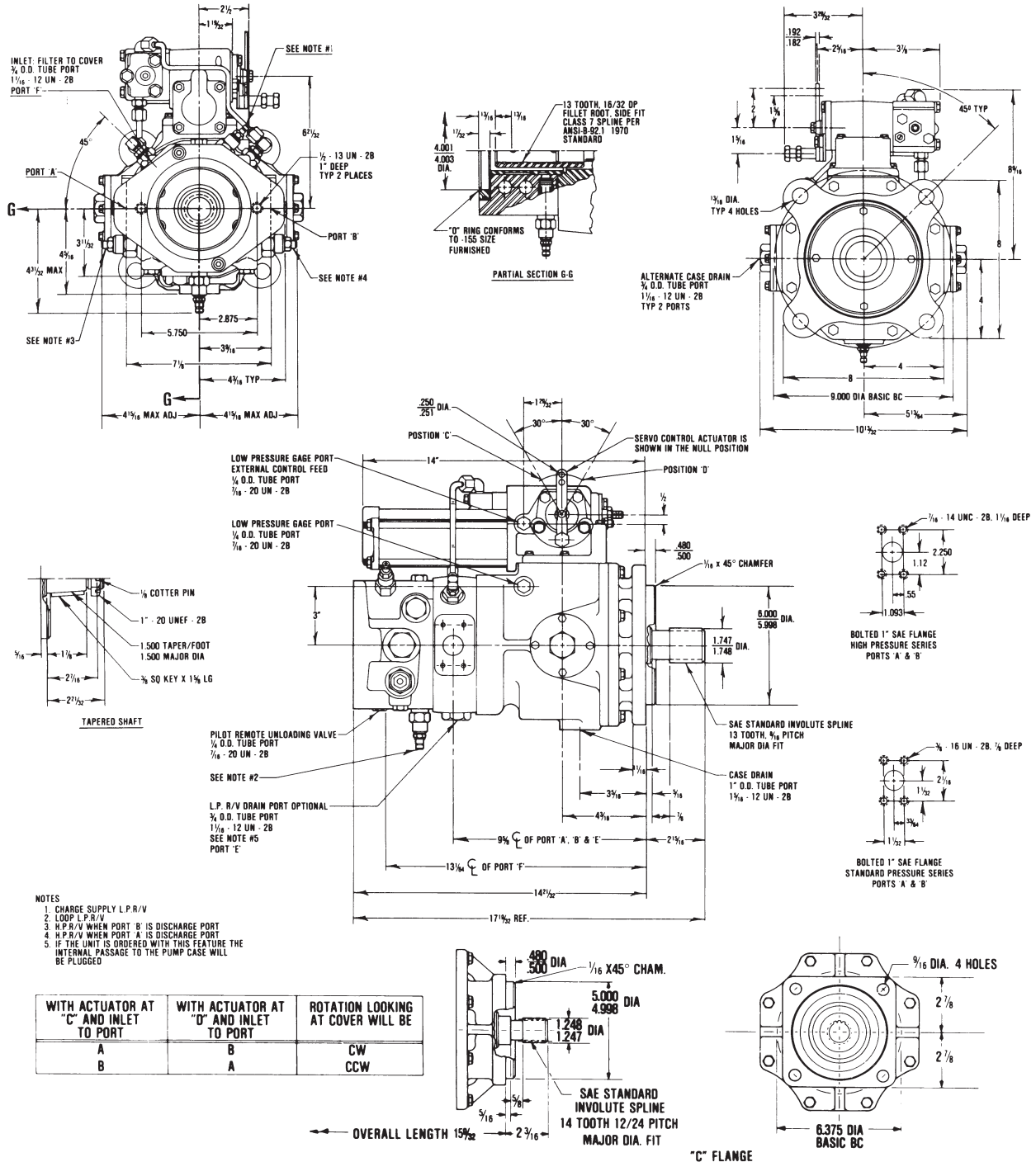


## DYNAPOWER MODEL 4.8 & 6.0 PUMPVAL SAE "C & D" FLANGE & SHAFT PARTS DRAWING





## DYNAPOWER MODEL 4.8 & 6.0 PUMPAVAL SAE "C & D" FLANGE & SHAFT PARTS DRAWING





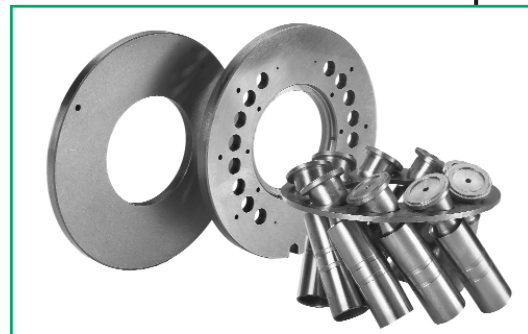


# DYNAPOWER



## DYNAPOWER MODEL 4.8 & 6.0 PUMPVAL SAE "C & D" FLANGE & SHAFT

REF. NO.	PART NO.	REQ. NO.	DESCRIPTION
1	871155	1	O'Ring
2	871248	1	O'Ring
3	842517	1	Adapter Ring
4	872964	1	C/P Relief Valve Cartridge
5	872970	1	O'Ring/Back-Up Ring Kit
6	872951	2	Socket Head Bolt
6A	842737	4	Washer
6B	873311	4	Seal
7	872675	1	Hex Plug
8	871906	1	O'Ring
9	842906	1	R/V Body
10	872950	4	Socket Head Bolt
10A	871202	4	Lock Washer
11	842567	1	Shuttle
12	842565	2	Spring Retainer
13	842564	2	Spring
14	871912	2	O'Ring
15	842566	2	Hex Plug
16	840925	2	Check Valve
17	840999	2	Check Spring
18	871912	2	O'Ring
18	840924	2	Hex Plug
20	872936	2	O'Ring/Back-Up Ring Kit
21	872919	2	H/P Relief Valve Cartridge
22	871904	2	O'Ring
23	840146	2	Hex Plug
24	872935	1	O'Ring/Back-Up Ring Kit
25	872904	1	L/P Relief Valve Cartridge
26	871113	1	O'Ring
27	876117	5	O'Ring
28	876119	2	O'Ring
29	871139	1	O'Ring
29A	842976	1	Pilot Sleeve
30	842519	1	Torque Tube
31	872932	6	Socket Head Bolt
32	871912	1	O'Ring
33	872678	1	Hex Plug
34	871908	2	O'Ring
35	841775	2	Hex Plug
36	871904	3	O'Ring
37	840146	3	Hex Plug





**DYNAPOWER MODEL 4.8 & 6.0 PUMPVAL  
SAE "C & D" FLANGE & SHAFT**

REF. NO.	PART NO.	REQ. NO.	DESCRIPTION
38	843149	1	Cover (Code 62 Ports)
39	870097	1	Roll Pin
40	850142	1	Gasket
41	870648	1	Bearing (includes item 78)
42	842904	1	Valve Plate-4.8 CIR
42A	842912	1	Valve Plate-6.0 CIR
43	842211	1	Housing
44	871011	1	O'Ring
45	872678	2	Plug
46	871912	2	O'Ring
47	840756	2	Trunnion
48	870160	8	Hex Bolt
49	870480	8	Lock Washer
50	840031	2	Gasket
51	840029	2	Thrust Washer
52	870103	1	Retaining Ring
53	840023	1	Upper Spring Seat
54	840022	1	Spring
55	840021	1	Lower Spring Seat
56	841664	1	Cylinder Block-4.8 CIR
56A	841665	1	Cylinder Block-6.0 CIR
57	841225	1	Return Plate-4.8 CIR
57A	840898	1	Return Plate-6.0 CIR
58	830697	9	Piston Assembly-4.8 CIR
58A	830698	9	Piston Assembly-6.0 CIR
59	870181	4	Hex Bolt
60	841163	4	Tab Lock Washer
61	850061	2	Crescent Clip
62	850060	2	Crescent Bearing
63	841248	4	Spacer
64	841226	1	Wear Plate
65	870045	1	Roll Pin
66	841185	1	Cam
67	870647	2	Trunnion Bearing
68	840897	1	Lever Assy. (includes item 70)
69	870888	2	Cap Screw
70	840067	1	Pin
71	840059	1	Clevis Pin
72	870100	2	Retaining Ring
73	875261	1	Square Ring
74	841761	1	Flange SAE "C"





# DYNAPOWER



## DYNAPOWER MODEL 4.8 & 6.0 PUMPVAL SAE "C & D" FLANGE & SHAFT

REF. NO.	PART NO.	REQ. NO.	DESCRIPTION
74B	841228	1	Flange SAE "D"
75	870492	8	Lock Washer
76	870194	8	Hex Bolt
77	870101	1	Retaining Ring
78		1	See Item 41
79	870102	2	Retaining Ring
80	842123	1	Shaft SAE "C"
80B	842133	1	Shaft SAE "D"
81	870642	1	Bearing
82	872807	2	Retaining Ring
83	871242	1	O'Ring SAE "C"
83B	875243	1	Square Ring SAE "D"
84	870107	1	Shaft Seal
85	841766	1	Seal Retainer (used with items 74,80,82,83)
85B	842398	1	Seal Retainer (used with items 74B,80B,83B,86,87)
86	870480	4	Lock Washer
87	870170	4	Hex Bolt

### SERVICE KITS

PART NO.	FLANGETYPE	DESCRIPTION
894483	SAE "C" & "D"	O'Ring and Gasket Kit 1,2,5,8,14,18,20,22,24, 26,27,28,29,32,34,36,40,44,46,50,73,83,83B,84
894300	SAE "C"	Shaft Seal Kit 83,84,85
894192	SAE "D"	Shaft Seal Kit 83B, 84 85B
894425	SAE "C" & "D"	4.8 Rotating Group Kit 42,52,53,54,55,56,57,58, 59, 60, 61, 62, 63,64
894427	SAE "C" & "D"	6.0 Rotating Group Kit 42A, 52, 53, 54, 55, 56A, 57A, 58A, 59, 60, 61, 62, 63, 64

